

Williams[®]

Service Manual

BLASTER T.M.

- set-up
- operation
- troubleshooting
- logic and schematic diagrams
- parts



MANUAL AMENDMENT

MANUAL AFFECTED: 16-3021-101

PURPOSE: To update the BLASTER manual with information on current-production games.

- CHANGE: (1) delete paragraph on BUY-IN FEATURE, p. 5
- (2) revise paragraph on Starting difficulty, p. 5
- (3) alter the video-screen figures (Fig. 6 and Fig. 7) on pp. 11 and 12 as shown
- (4) revise DEFINITIONS OF PRICING TERMS, pp. 13-14

PLAYERS CHOOSE STARTING DIFFICULTY

FOUR WAYS TO START. Players may begin a game in any of the first four waves: (1) Robot Grid; (2) Planetoids; (3) Vampires and (4) Saucerland. This feature allows players to select the amount of challenge the game will offer, while increasing the game's collection for the operator.

BOOKKEEPING TOTALS

LEFT SLOT COINS	432
CENTER SLOT COINS	0
RIGHT SLOT COINS	398
PAID CREDITS	830
EXTRA SHIPS EARNED	172
SHIPS PLAYED	1723
TOTAL PLAYS	517
PLAYS LESS THAN 1:30	116
PLAYS 1:30 TO 3:00	303
PLAYS 3:00 TO 5:00	74
PLAYS 5:00 TO 10:00	22
PLAYS OVER 10:00	2
TIMES WAVE 10 REACHED	201
TIMES WAVE 15 REACHED	74
TIMES WAVE 20 REACHED	7
AVERAGE TIME PER PLAY	2:13

Figure 6. Bookkeeping screen

GAME ADJUSTMENTS

EXTRA SHIP EVERY	100,000	RECOMMENDED
TURNS PER PLAYER	3	RECOMMENDED
GAME PRICING	1	COIN PER PLAYER
COINAGE PARAMETERS	3	USA COINAGE
LEFT SLOT UNITS	1	
CENTER SLOT UNITS	4	
RIGHT SLOT UNITS	1	
UNITS REQUIRED FOR CREDIT	1	
UNITS REQUIRED FOR BONUS CREDIT	0	
MINIMUM UNITS FOR ANY CREDIT	0	
DIFFICULTY OF PLAY	5	RECOMMENDED
LETTERS FOR HIGHEST SCORE NAME	20	
RESTORE FACTORY SETTINGS	NO	
CLEAR BOOKKEEPING TOTALS	NO	
HIGH SCORE TABLE RESET	NO	
AUTO CYCLE	NO	
SET ATTRACT MODE MESSAGE	NO	
SET HIGHEST SCORE NAME	NO	

USE JOYSTICK TO SELECT ADJUSTMENT
USE BLAST AND THRUST TO CHANGE THE VALUE
PRESS ADVANCE TO EXIT

Figure 7. Adjustments screen showing factory
settings for upright games

DEFINITIONS OF PRICING TERMS

GAME PRICING permits one or more credits to equal one game. Factory settings place a...

- "1" in the CREDITS REQUIRED TO START GAME function (upright and plastic games) or
- "2" in the CREDITS REQUIRED TO START GAME function (cockpit games with ROM-board jumper W3 cut)

COINAGE PARAMETERS allows a shorthand method of setting the pricing functions. If a number from one to nine is entered into the COINAGE PARAMETERS function, a corresponding standard setting (shown in bold type in Table 1 above) will be entered into the game. The rest of the pricing functions are automatically set for that standard.

THE NUMBER OF CREDITS PER COIN is equal to the number of SLOT UNITS for any one slot divided by the number of UNITS PER CREDIT. If the number of LEFT SLOT UNITS equals X and the number of UNITS PER CREDIT equals Y, then the number of credits per coin is X/Y. With factory settings X is "1" and Y is "1". Players receive a credit for a quarter.

UNITS REQUIRED FOR BONUS CREDIT is the number of games that must be purchased before a free game is awarded.

MINIMUM UNITS FOR ANY CREDIT is the least number of coins allowed per credits or credits: Or put another way, the MINIMUM UNITS FOR ANY CREDIT determines the smallest number of whole credits that may be paid for at one time.

For example if you want to allow one credit for a quarter but wish to encourage multiple game-playing, you may enter:

- "0" in the COINAGE PARAMETERS function

This zero value automatically sets all pricing functions. However minimum units for any credit must be raised to "2" or a higher value to achieve your goal. Here are the rest of the functions as they should appear.

- "1" in the LEFT SLOT UNITS function
- "4" in the CENTER SLOT UNITS function
- "1" in the RIGHT SLOT UNITS function
- "1" in the UNITS PER CREDIT function
- "0" in the UNITS REQUIRED FOR BONUS CREDIT function
- "2" in the MINIMUM UNITS FOR ANY CREDIT function

These values allow one credit for a quarter, but ONLY when two or more credits are paid for at a time. Incidentally, the "4" in CENTER SLOT UNITS allows four credits per dollar coin (center slot only). See "2/50¢, 4/\$1" in Table 1 above.

GAMES : PRICE ratio to start a game is equivalent to the ratio:

X: VYS

where:

X = SLOT UNITS

V = COIN VALUE

Y = UNITS PER CREDIT

S = GAME PRICING

For example at factory settings with quarter chutes the variables produce
1: 25x1x1 or one game for 25¢.

INSTRUCTION MANUAL FOR UPRIGHT AND COCKPIT GAMES

including...

- operation
- bookkeeping
- adjustments
- diagnostics
- schematic and logic diagrams
- parts

ROM SUMMARY

ROM	PART NO.	DESCRIPTION	IC NO.	BOARD
BLASTER 1	A-5343-10397	27128 PROM, 16Kx8, REV 1 (Brown)	U1	ROM
BLASTER 2	A-5343-10398	27128 PROM, 16Kx8, REV 1 (Brown)	U3	ROM
BLASTER 3	A-5343-10399	27128 PROM, 16Kx8, REV 1 (Brown)	U6	ROM
BLASTER 4	A-5343-10400	27128 PROM, 16Kx8, REV 1 (Brown)	U7	ROM
BLASTER 5	A-5343-10401	27128 PROM, 16Kx8, REV 1 (Brown)	U11	ROM
BLASTER 6	A-5343-10402	27128 PROM, 16Kx8, REV 1 (Brown)	U13	ROM
BLASTER 7	A-5343-10403	27128 PROM, 16Kx8, REV 1 (Brown)	U15	ROM
BLASTER 8	A-5343-10404	27128 PROM, 16Kx8, REV 1 (Brown)	U20	ROM
BLASTER 9	A-5343-10405	27128 PROM, 16Kx8, REV 1 (Brown)	U22	ROM
BLASTER 10	A-5343-10406	27128 PROM, 16Kx8, REV 1 (Brown)	U24	ROM
BLASTER 11	A-5343-10407	2764 PROM, 8Kx8, REV 1 (Brown)	U25	ROM
BLASTER 12	A-5343-10408	2764 PROM, 8Kx8, REV 1 (Brown)	U26	ROM
BLASTER 13	A-5343-10409	2764 PROM, 8Kx8, REV 1 (Brown)	U27	ROM
BLASTER 14	A-5343-10410	27128 PROM, 16Kx8, REV 1 (Brown)	U35	ROM
BLASTER 15	A-5343-10411	27128 PROM, 16Kx8, REV 1 (Brown)	U38	ROM
BLASTER 16	A-5343-10412	2732 PROM, 4Kx8, REV 1 (Brown)	U39	ROM
BLASTER 17	A-5343-10413	2732 PROM, 4Kx8, REV 1 (Brown)	U41	ROM
Special Chip 2	A-5410-10083	Special Chip	U44,U45	ROM
Translation	A-5282-10414	MB128 PROM, 2Kx4	U49,U50	ROM
Decoder ROM 4 (Horizontal)	A-5342-09694	7641 PROM, 512x8	U42	CPU
Decoder ROM 6 (Vertical)	A-5342-09821	7641 PROM, 512x8	U23	CPU
ROM 18 (Sound)	A-5343-10408	2732 PROM, 4Kx8	IC12	SOUND

CONTENTS

● CHAPTER 1	Game Setup	3
	Warnings & Notices	5
	Game Features	5
	Examine Your Game	6
	Location of Controls	6
	Optional Extension Monitor Connections	7
● CHAPTER 2	Game Operation	9
	Power Turn-On	10
	Game Operation	10
	Bookkeeping Totals	10
	Game Adjustments	11
	Definitions of Pricing Terms	13
● CHAPTER 3	Troubleshooting Procedures	15
	Introduction	16
	Power-Up Tests	16
	+ 5VDC Power Supply Adjustments	17
	Self-Diagnostics	17
	Diagnostics Mode Tests	18
	Sound Board Diagnostics	20
	CMOS RAM Data Test Protocol	22
● CHAPTER 4	Schematic and Logic Diagrams	23
● CHAPTER 5	Parts	45

CHAPTER 1 Game Setup

Warnings and Notices

Game Features

Examine Your Game

Location of Controls

Optional Extension Monitor Connections

Warnings & Notices

WARNING:

1. **FOR SAFETY AND RELIABILITY, WILLIAMS** does not recommend or authorize any substitute parts or modifications of WILLIAMS equipment.
2. **USE OF NON-WILLIAMS PARTS** and modifications of game circuitry may adversely affect game play, or may cause injuries.
3. **SUBSTITUTE PARTS, MODIFICATIONS AND GAME "CONVERSIONS"** may void FCC type-acceptance.
4. **SINCE THIS GAME IS PROTECTED** by Federal copyright, trademark and patent laws, so-called game "conversions" may be illegal under Federal law.
5. **THIS "CONVERSION" PRINCIPLE ALSO APPLIES** to unauthorized facsimiles of WILLIAMS equipment, logos, designs, publications, assemblies and game (or game features not deemed to be in the public domain), whether manufactured with WILLIAMS components or not.

RF INTERFERENCE NOTICE:

CABLE HARNESS PLACEMENTS AND GROUND STRAP ROUTING on this game have been designed to keep RF radiation and conduction within levels accepted by FCC regulation.

TO MAINTAIN THESE LEVELS, reposition harnesses and reconnect ground straps to their original placements if they should be disconnected during maintenance.

CAUTION

FOUR GREEN #18 WIRES Terminate at the power-pack (transformer) assembly chassis D-9886. These wires provide earth ground to the marquee, monitor, switch brackets and PCB-plate mounting bracket. If one of these chassis-ground wires is disconnected during servicing, it must be reconnected to maintain safety standards.

NOTICE:

Assemblies secured to the plastic-upright cabinet use special #8 x 1/4" screws, WILLIAMS part no. 4608-01081-11. Always replace these screws with the same type. NEVER attempt to substitute ordinary sheet-metal screws.

Game Features

FIRST-PERSON ACTION

IN MOST VIDEO GAMES players have to watch a "hero" go through the motions *for them*. Not so in **BLASTER** video!

IN BLASTER VIDEO players are right there in the action. When they move the joystick, their whole point-of-view changes just as it would in a jet aircraft or in the space shuttle! When they press THRUST the stars, asteroids and interstellar gas clouds *shoot by at death-defying speed*.

BUY-IN FEATURE

CONTINUED GAMES. After completing a game players are encouraged to continue where they left off. (At factory settings upright **BLASTER** models even offer continued games at half-price.) Continued games are more challenging than original games. So continued games tend to involve skilled players at the level they prefer and to increase collections.

PLAYERS CHOOSE STARTING DIFFICULTY

FOUR WAYS TO START. Players may begin a game in any of the first four waves: (1) Planetoids; (2) Robot Grid; (3) Saucerland and (4) Vampires. This feature allows players to select the amount of challenge the game will offer, while increasing the game's collection for the operator.

49-WAY OPTO JOYSTICK

MODELED AFTER A MILITARY AIRCRAFT JOYSTICK, the **BLASTER** joystick is engineered to fit the hand and provide quick game response as well as durability.

ELECTRONICALLY THE JOYSTICK IS UNIQUE. Six opto-isolators (three on the X-axis and three on the Y-axis) are positioned to accept both direction and speed cues. A resolution of 49 directions and speed combinations is possible. See PLAYER CONTROLS below.

STEREO COCKPIT SOUND

STEREO SOUND. Since "true" stereo requires two sound sources, **BLASTER** video has not only two speakers, but two entire sound boards.

Examine your Game

When you receive a new WILLIAMS game, examine it carefully before you power it up. Be sure it was delivered in good condition!

☐ **INSPECT THE OUTSIDE** of the shipping carton and/or game cabinet for shipping damage.

☐ **UPRIGHTS:** Unlock and set aside the top-rear panel. Undo the two trunk latches on the inside of the bottom door. Open the door. Now check circuitry.

☐ **PLASTIC UPRIGHT:** Unlock and open the rear door. Now check circuitry.

☐ **COCKPIT GAMES:** See Figure 1. (1) Unlock the access door on the front of the game. (2) Now extend your arm to the left and right inside the door. Undo the two hood trunk latches. (3) Raise the hood. (4) Loosen the two access screws at the sides of the circuit board panel. (5) Raise the panel and inspect circuitry.

☐ **ARE CONNECTORS SECURELY ATTACHED?** Reconnect any found loose. **DON'T FORCE CONNECTORS.** They're keyed and only fit one way.

☐ **ARE PLUG-IN CHIPS FIRMLY** seated in their sockets?

☐ **UNWRAP THE POWER CORD** coiled inside the cabinet. **UPRIGHT GAMES:** place the strain-relief plate in the slots as shown in Figure 2. **PLASTIC GAMES:** position the cord in the groove of the cabinet floor. **COCKPIT GAMES:** **Strain-relief provided** the power cord is secured under the front edge of the cabinet below the access door; free the power cord. **Strain-relief not provided** extend the power cord through the hole in the cabinet floor. **DON'T PLUG IT IN YET!** ☐ **SCRUTINIZE MAJOR SUBASSEMBLIES**, such as the monitor, control panel, transformer chassis and power supply. Make sure they're securely mounted.

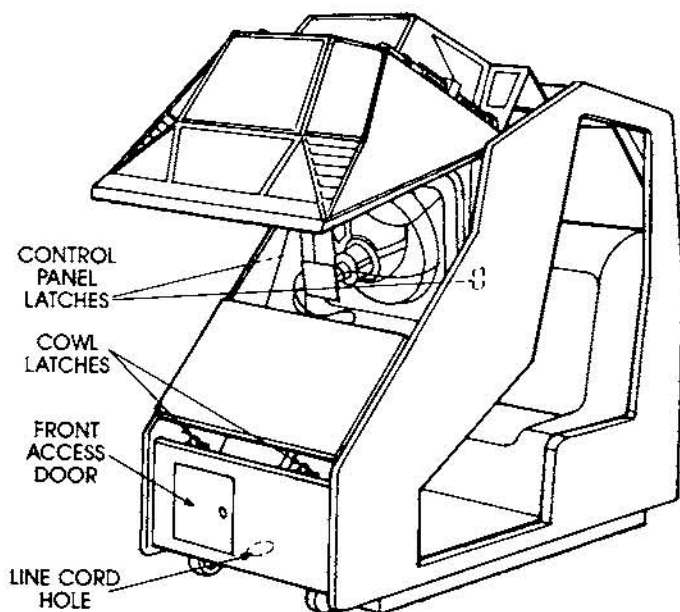


Figure 1. Cockpit model with hood raised.

Location Of Controls

THE ON-OFF SWITCH is located: in the top right corner of the rear of the cabinet (*UPRIGHT*) on the bottom of cabinet below access door (*COCKPIT*) in center over rear door (*PLASTIC*).

THE POWER INTERLOCK SWITCH is located behind the top-right corner of rear door *UPRIGHT & PLASTIC* inside the access door on the front of the game *COCKPIT*. The interlock switch is a spring-loaded DPDT type that will turn off the game when you open the door. For servicing purposes, pull the switch out and the game will power up.

THE DUAL VOLUME CONTROL is located on the circuit board panel. On uprights and plastic cabinets you can adjust it from the coin door. On cockpits models open the hood to adjust volume.

DIAGNOSTIC SWITCHES are on the inside of the coin door in upright and plastic cabinet games. In cockpit games they're under the hood and on the top right side as you face the front of the game.

These switches are used to access the Diagnostic-Mode Tests, the BOOKKEEPING TOTALS screen and the GAME ADJUSTMENTS screen. Refer to appropriate sections for information on each of these important features.

MISCELLANEOUS CONTROLS. The *memory-protect interlock switch* is near the diagnostic switch bracket (see above). This switch must be open when you clear BOOKKEEPING TOTALS or make GAME ADJUSTMENTS. It automatically opens when the coin door is open on upright and plastic cabinet games and when the hood is up on cockpit games. The *CPU board reset switch* is located on the CPU board beside the batteries. The *cashbox advance switch*, found inside the cashbox door on all models, allows bookkeeping information to be audited without permitting it to be zeroed. A *sound-board diagnostic switch* is diagonally across each sound board from a large, strap-mounted axial capacitor. Sound-board diagnostics are explained in chapter 3.

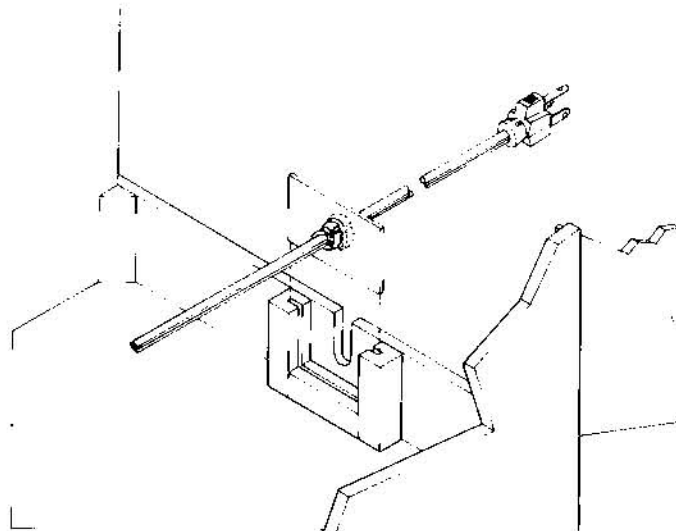


Figure 2. Power Cord Strain Relief (Upright)

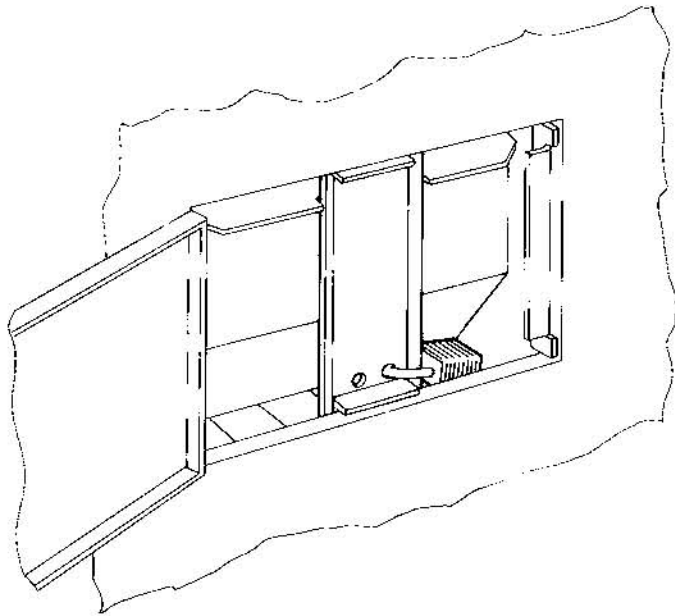


Figure 3. Cockpit Model Cashbox Security Plate

Optional Extension Monitor Installation

An extension monitor must be connected to 115VAC power through a 1:1 isolation transformer. The transformer must have a minimum current rating of 1A. Connections from the WILLIAMS video system to the monitor inputs may simply be paralleled to provide the extension monitor with sync and video.

CAUTION: These monitor connections void the game's FCC certification and UL listings. These may not be restored when the extension monitor is disconnected.

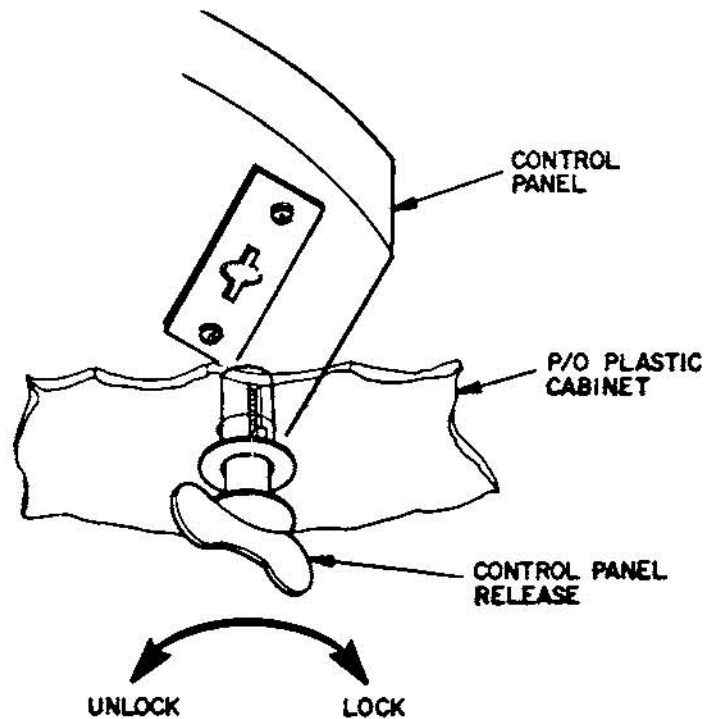
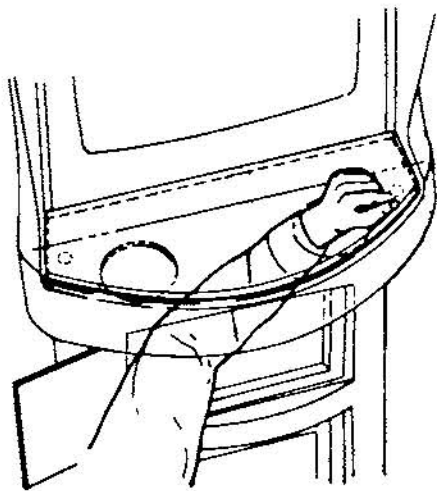


Figure 4. Access to Plastic Cabinet Control Panel

CHAPTER 2 Game Operation

Power Turn-On

Game Operation

Bookkeeping Totals

Game Adjustments

Definitions of Pricing Terms

Power Turn-On

CAUTION: This game must be plugged into a properly-grounded outlet to prevent shock hazard and to ensure proper game operation. DO NOT use a "cheater" plug to defeat the ground pin on the power cord, and DO NOT cut off the ground pin.

WHEN THE GAME IS FIRST TURNED ON general illumination should come on and a moment later a scanning "rug pattern" indicating the RAM test should appear on the screen. Next the rug should become stationary as the ROM test is performed. In a correctly-running game the rug pattern will be followed by the message "INITIAL CHECKS INDICATE OPERANTIONAL". If RAM or ROM failure messages come up on the screen instead, refer to Power Up Tests in TROUBLESHOOTING PROCEDURES.

Game Operation

GAME START

INSERT COINS: The number of COINS RECEIVED is displayed on the CRT. With four or more coins displayed, pressing 2-PLAYER START initiates a 2-player, 3 turn game (adjustable feature).

PLAYER CONTROLS

CONTROLLED BY THE JOYSTICK, a unique configuration of optoswitches provides a faster response and a greatly-increased number of vectors in each quadrant for the precise aiming of your spaceship.

TWO SETS OF THREE OPTOSWITCHES each are arranged at right angles to each other. One set is for aiming along the X-axis; the other is for aiming along the Y-axis. With the joystick in the center position all six optoswitches are blocked.

AS THE JOYSTICK IS MOVED it actuates one or both sets of switches. The spaceship responds with extraordinary precision due to the sequential action of the optoswitches in each set. Each switch in the set is offset so that joystick action multiplies the circuitry brought in by the switches, increasing the precision aiming of the spaceship.

THE RATE OF X-Y COURSE CHANGE INCREASES as the joystick is moved further from the center position; it decreases as the joystick is returned toward the center position.

SPECIAL CIRCUITRY is included so the spaceship can respond immediately to sudden reversals of joystick movement.

PRESS BLAST! The spaceship fires at planetoids and enemies.

PRESS THURST! The spaceship accelerates to maximum speed.

GAME PLAY

IN A VALIANT SPACESHIP the player defies space and time while vying with robots, vampires, cat fighters and other fearsome foes. The player must BLAST enemies or stay out of their way to protect his shields (and his turn). A shield may be hit three times before it disintegrates. **GAME ACTION IS DIVIDED INTO WAVES.** Each wave may have one or several goals. Some of the more-important goals are to...

- 1. BLAST enemies and planetoids (fleet bonus for eliminating all of one type)
- 2. pick up spacemen (in time tunnel or space)
- 3. dock with energizer E's (restores shields)
- 4. BLAST the red saucer first or last (at Saucerland)
- 5. fly through the magic arches (on the Robot Grid)
- 6. attain wave 30 to enter astral paradise

BAD GUYS

- | | | |
|---------------|----------------|----------------|
| ● android | ● master mind | ● space cowboy |
| ● cat fighter | ● planetoids | ● space robot |
| ● death rider | ● red saucer | ● star cruiser |
| ● destroyer | ● runaway ship | ● vampire |
| ● enduro | ● saucer | ● X 29 fighter |

Bookkeeping Totals

ENTERING BOOKKEEPING MODE. See Figure 5. Inside the coin door (or under the hood on cockpit-model games) is a bracket with three button switches. Set the AUTO-UP/MANUAL-DOWN (center) switch to AUTO-UP. Press the ADVANCE switch to display BOOKKEEPING TOTALS on the screen (Figure 3). Now check those totals. Here's what to look for...

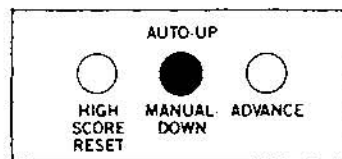


Figure 5. Diagnostic Button Switches

BOOKKEEPING TOTALS SHOW YOU AT A GLANCE if game settings are bringing you a satisfactory return on your investment! *Only games by WILLIAMS ELECTRONICS have this feature.* Think of it as a unique way to keep your **BLASTER** game the *leader of the pace* when it comes to *earnings...* location after location, week in and week out!

ENTERING BOOKKEEPING MODE. See Figure 5. Inside the coin door (or under the tabletop on cocktail-model games) is a bracket with three button switches. Set the AUTO-UP/MANUAL-DOWN (center) switch to AUTO-UP. Press the ADVANCE switch to display BOOKKEEPING TOTALS on the screen (Figure 6). Now check those totals. Here's what to look for...

BOOKKEEPING TOTALS	
LEFT SLOT COINS	432
CENTER SLOT COINS	0
RIGHT SLOT COINS	398
PAID CREDITS	830
EXTRA SHIPS EARNED	172
SHIPS PLAYED	1723
TOTAL PLAYS	517
CONTINUED PLAYS	204
PLAYS LESS THAN 1:30	116
PLAYS 1:30 TO 3:00	303
PLAYS 3:00 TO 5:00	74
PLAYS 5:00 TO 10:00	22
PLAYS OVER 10:00	2
TIMES WAVE 20 REACHED	74
TIMES WAVE 30 REACHED	7
AVERAGE TIME PER PLAY	2:13
AVERAGE TIME PER CONTINUED PLAY	1:46

Figure 6. Bookkeeping screen

AVERAGE TIME PER PLAY: TWO MINUTES. Your most important figure on the BOOKKEEPING TOTALS screen is AVERAGE TIME PER PLAY. You'll want to pay special attention to this figure every day for this reason. Thorough field and factory research has shown that *two-minute games both satisfy players and also keep the quarters flowing.*

If games aren't running about two minutes long, then collections probably aren't at their peak. *But...is someone throwing the average off?* Now you can check. Because **BLASTER** video even tells you how many people played at each of five skill (time) levels. Most of them should be grouped at PLAYS 1:30 to 3:00. How many players reached upper waves? **BLASTER** video even lets you know this! These features help you tailor your game to your game-playing public. It's easy. *But only WILLIAMS games let you do it!*

Game Adjustments

ANOTHER EXCLUSIVE IN WILLIAMS GAMES! No other brand of games permits such a broad range of GAME ADJUSTMENTS. Without expensive "speed-up kits" or risky modifications you can make BLASTER play to your advantage...whatever your location needs may be. This feature makes BLASTER video a very *versatile performer.* And it means that **BLASTER** video has *phenomenal staying power!* Now here's the secret...

USE THE DIAGNOSTIC SWITCHES. With the AUTO-UP/MANUAL-DOWN switch set to AUTO-UP press the ADVANCE switch twice. The GAME ADJUSTMENTS screen will come up (See Figure 7. Factory settings are shown there).

Now for the multiple choice section! *Choose one or more:*

Use the BLAST (longer game) and THRUST (shorter game) buttons to choose the appropriate difficulty level (0 = easiest or extra liberal, 4 = average, 9 = hardest or extra conservative).

For a shorter game, increase the bonus points figure (EXTRA SHIP EVERY) or set it to zero. For a longer game, reduce it. (50,000 = long/200,000 = short).

For a shorter game, decrease the number of TURNS PER PLAYER. For a longer game, increase the number. (1 = short/20 = long).

SET ATTRACT MODE MESSAGE

1. Move the cursor to SET ATTRACT MODE MESSAGE.
2. Press BLAST.
3. Press ADVANCE.
4. Enter up to two lines of your message by following instructions on the screen.
5. Press ADVANCE to enter Game-Over Mode.

To restore the WILLIAMS attract-mode message, perform steps 1 through 3 and then turn the game off and back on.

GAME ADJUSTMENTS

EXTRA SHIP EVERY	100,000	RECOMMENDED
TURNS PER PLAYER	3	RECOMMENDED
CREDITS REQUIRED TO START GAME	2	RECOMMENDED
CREDITS REQUIRED TO CONTINUE GAME	1	RECOMMENDED
PRICING SELECTION	3	
LEFT SLOT UNITS	1	
CENTER SLOT UNITS	4	
RIGHT SLOT UNITS	1	
UNITS REQUIRED FOR CREDIT	1	
UNITS REQUIRED FOR BONUS CREDIT	0	
MINIMUM UNITS FOR ANY CREDIT	0	
DIFFICULTY OF PLAY	4	RECOMMENDED
LETTERS FOR HIGHEST SCORE NAME	20	RECOMMENDED
RESTORE FACTORY SETTINGS	NO	
CLEAR BOOKKEEPING TOTALS	NO	
HIGH SCORE TABLE RESET	NO	
AUTO CYCLE	NO	
SET ATTRACT MODE MESSAGE	NO	
SET HIGHEST SCORE NAME	NO	
USE JOYSTICK TO SELECT ADJUSTMENT		
USE BLAST AND THRUST TO CHANGE THE VALUE		
PRESS ADVANCE TO EXIT		

Figure 7. Adjustments screen showing factory settings for upright games

NOTE: Factory settings vary on the function CREDITS REQUIRED TO CONTINUE GAME. Upright games are set to 1. Cockpit games have a ROM-board jumper providing a 2.)

LETTERS FOR HIGHEST SCORE NAME

The number of letters allowed the highest-scoring player for entering his name can be varied from 3 to 20 and is recommended as 20. If objectionable words are entered as the signature name, you can change the lettered entry leaving the highest score the same. See SETTING HIGHEST SCORE NAME.

RESTORE FACTORY SETTINGS

1. Move the cursor to RESTORE FACTORY SETTINGS.
2. Press BLAST.
3. Press ADVANCE twice.

CLEAR BOOKKEEPING TOTALS

1. Move the cursor to CLEAR BOOKKEEPING TOTALS.
2. Press BLAST.
3. Press ADVANCE twice.

HIGH SCORE TABLE RESET

1. Move the cursor to HIGH SCORE TABLE RESET.
2. Press BLAST.
3. Press ADVANCE to enter Game-Over Mode.

AUTO CYCLE

This adjustment is actually a troubleshooting procedure. See Chapter 3.

1. Move the cursor to AUTO CYCLE.
2. Press BLAST to display a "YES".
3. Press ADVANCE to enter Auto-Cycle Mode. The coin door or hood must remain open for this test.
4. To exit Auto-Cycle Mode, turn the game off and on.

SET HIGHEST SCORE NAME

1. Move the cursor to SET HIGHEST SCORE NAME.
2. Press BLAST.
3. Press ADVANCE.
4. Enter the new signature.
5. Press ADVANCE to enter Game-Over Mode.

An alternate, simpler method enters the factory highest-score signature. In the Game-Over Mode hold down the HIGH SCORE RESET button. After a few seconds a sound is produced and the factory highest-score signature is activated.

Table 1. Game Pricing

Coin Door Mechanism	Credits/Money	Pricing Selection	Left Slot Units	Center Slot Units	Right Slot Units	Units Per Credit	Units Req'd For Bonus Credit	Min. Units For Any Credit
Twin Quarter	1/25¢, 5/\$1	0	1	4	1	1	4	0
Quarter, Dollar, Quarter	2/50¢, 5/\$1	0	1	4	1	1	4	2
	● 1/25¢, 4/\$1	3	1	4	1	1	0	0
	2/50¢, 4/\$1	0	1	4	1	1	0	2
	1/50¢, 3/\$1, 4/\$1.25	0	3	12	3	4	15	0
	1/50¢, 3/\$1, 7/\$2	0	12	48	12	14	96	24
1DM, 5DM	● 2/1DM, 12/5DM	5	12	0	2	2	0	0
	● 1/1DM, 6/5DM	2	6	0	1	1	0	0
20-Cent, 50-Cent	1/20¢, 3/50¢	0	6	0	15	5	0	0
1 Franc, 5 Franc	● 1/2F, 3/5F only	4	1	16	6	2	0	0
25 Cent.	● 1/25¢, 4/1G	6	1	0	4	1	0	0
1 Guilder	1/25¢, 5/1G	0	1	0	4	1	4	0
5 Franc	● 1/5F, 2/10F	7	1	0	2	1	0	0
10 Franc	● 1/10F	8	1	0	2	2	0	0
1 Franc, 2 Franc	● 2/1F, 5/2F	2	6	0	1	1	0	0
100 Lire, 200 Lire	● 1/200 Lire	8	1	0	2	2	0	0
Twin Coin	● 1/1 Coin	3	1	4	1	1	0	0
	● 1/2 Coins	5	1	4	1	2	0	0
	1/2 Coins, 3/4 Coins	1	1	4	1	2	4	0
	1/3 Coins, 2/5 Coins	0	2	0	2	5	0	0
1-Unit, 5-Unit	● 1/2, 3/5	4	1	16	6	2	0	0
	1/1, 5/5	0	1	0	5	1	0	0
	1/3, 2/5	0	2	0	10	5	0	0
Any	● Free Play	9	1	4	1	1	0	0

Definitions of Pricing Terms

CREDITS REQUIRED TO START GAME permits one or more credits to equal one game. Factory settings place a...

- "2" in the CREDITS REQUIRED TO START GAME function

CREDITS REQUIRED TO CONTINUE GAME lets you offer players a price-incentive when they continue games. The factory setting is:

- "1" in the CREDITS REQUIRED TO CONTINUE GAME function

This "1" means that players (who paid 50 to initiate their first game) may continue playing for only 25.

PRICING SELECTION allows a shorthand method of setting the pricing functions. If a number from one to nine is entered into the PRICING SELECTION function, a corresponding standard setting (shown in bold type in Table 1 above) will be entered into the game. The rest of the pricing functions are automatically set for that standard.

THE NUMBER OF CREDITS PER COIN is equal to the number of SLOT UNITS for any one slot divided by the number of UNITS PER CREDIT. If the number of LEFT SLOT UNITS equals X and the number of UNITS PER CREDIT equals Y, then the number of credits per coin is X/Y. With factory settings X is "1" and Y is "1". Players receive a credit for a quarter.

UNITS REQUIRED FOR BONUS CREDIT is the number of games that must be purchased before a free game is awarded.

MINIMUM UNITS FOR ANY CREDIT is the least number of coins allowed per credits or credits. Or put another way, the MINIMUM UNITS FOR ANY CREDIT determines the smallest number of whole credits that may be paid for at one time.

For example if you want to allow one credit for a quarter but wish to encourage multiple game-playing, you may enter:

- "0" in the PRICING SELECTION function

This zero value automatically sets all pricing functions. However minimum units for any credit must be raised to "2" or

a higher value to achieve your goal. Here are the rest of the functions as they should appear.

- "1" in the LEFT SLOT UNITS function
- "4" in the CENTER SLOT UNITS function
- "1" in the RIGHT SLOT UNITS function
- "1" in the UNITS PER CREDIT function
- "0" in the UNITS REQUIRED FOR BONUS CREDIT function
- "2" in the MINIMUM UNITS FOR ANY CREDIT function

These values allow one credit for a quarter, but ONLY when two or more credits are paid for at a time. Incidentally, the "4" in CENTER SLOT UNITS allows four credits per dollar coin (center slot only). See "2/50, 4/\$1" in Table 1 above.

GAMES : PRICES ratio to *start a game* is equivalent to the ratio:

$$X : VYS$$

where :

X - SLOT UNITS

V - COIN VALUE

Y - UNITS PER CREDIT

S - CREDITS REQUIRED TO START GAME

For example, at factory settings with quarter chutes the variables produce 1 : 25x1x2 or one starting game for 50¢

GAMES : PRICE ratio to *continue a game* is equivalent to the ratio:

$$X : VYC$$

where:

X - SLOT UNITS

Y - UNITS PER CREDIT

C - CREDITS REQUIRED TO CONTINUE

For example, at factory settings for upright and plastic cabinet games the variables produce 1 : 25x1x1 or one continued game for 25¢.

CHAPTER 3 Troubleshooting Procedures

Introduction

Power-Up Tests

+ 5VDC Power Supply Adjustments

Self-Diagnostics

Diagnostic Mode Tests

Sound Board Diagnostics

CMOS RAM Data Test Protocol

INTRODUCTION

Certain types of game malfunctions may inhibit the game's diagnostic or display facilities. Troubleshooting procedures for most of these types of malfunctions as well as malfunctions that permit self-diagnosis are covered below. Our trouble-

shooting algorithm begins with *Power-Up* and continues until *Game-Over Mode*. All procedures can be performed with minimal test equipment or merely by observing the game itself.

POWER-UP TESTS

NO GENERAL ILLUMINATION	NO INITIAL VIDEO (RUG PATTERN)	CHECKING POWER SUPPLY BOARD
<p>(1) Check fuse F2 on power supply board.</p> <p>(2) Check for proper installation of jumpers W1, W2, W3 and/or resistor R27. (Some machines MAY NOT have an R27. Refer to your drawing set.)</p> <p>(3) Check 4P1/J1, 4P3/J3, 6P2/J2 and 6P3/J3.</p> <p>(4) If all the above don't turn up the problem, check power supply board.</p>	<p>(1) Press reset button on CPU Board.</p> <p>(2) Try RAM and ROM tests (see below).</p> <p>(3) If all the above don't turn up the problem, check power supply board.</p>	<p>(1) Swap power supply board with one from known-good game.</p> <p>(2) If game plays, problem is on power supply board.</p> <p>(3) If game doesn't play, check power transformer with voltmeter.</p> <p>(4) If known-good power supply is unavailable for tests above, check +5V, 5V and +12V outputs on power supply in game. Each MUST BE within 2% of rated output with less than 0.1% AC hum.</p>

MORE POWER-UP TESTS

TEST	ROM BOARD LEDS RECOGNIZE CONDITION	ROM BOARD LEDS IDENTIFY BAD CHIPS	VIDEO	REMEDY
GENERAL	"0" means all power-up tests passed	—	<p>(1) scanning rug pattern</p> <p>(2) stationary rug pattern</p> <p>(3) "INITIAL TESTS INDICATE ALL SYSTEMS OPERATIONAL"</p> <p>(4) Game-Over Mode</p>	If any video (see left) is missing or error message is displayed, proceed to Diagnostic Mode tests.
CMOS (See Appendix A)	"0" means tests passed	—	<p>"HIGH SCORE TABLE RESET"</p> <p>"BOOKKEEPING TOTALS CLEARED"</p> <p>"ADJUSTMENT FAILURE"</p> <p>"RESTORE FACTORY SETTINGS BY OPENING FRONT DOOR OR HOOD AND TURNING GAME ON AND OFF"</p>	(1) Open coin door or hood and turn power off and on.
	"0" means tests passed	—	"FACTORY SETTINGS RESTORED"	(2) Press ADVANCE. Game should return to Game-Over Mode.
BATTERY (See Appendix A)	"0" means tests passed	—	<p>"HIGH SCORE TABLE RESET"</p> <p>"BOOKKEEPING TOTALS CLEARED"</p> <p>"ADJUSTMENT FAILURE"</p> <p>"RESTORE FACTORY SETTINGS BY OPENING FRONT DOOR OR HOOD AND TURNING GAME ON AND OFF"</p>	<p>(1) Open coin door or hood and turn power off and on. Or, press ADVANCE. In either case, game should return to Game-Over Mode.</p> <p>(2) Check AA alkaline cells on CPU Board.</p> <p>(3) If problem persists, proceed with CMOS RAM test by putting the game into its Diagnostic Mode (see Self-Diagnostics).</p>
MEMORY PROTECT INTERLOCK (See Appendix A)	"0" means tests passed	—	<p>"HIGH SCORE TABLE RESET"</p> <p>"BOOKKEEPING TOTALS CLEARED"</p> <p>"ADJUSTMENT FAILURE"</p> <p>"RESTORE FACTORY SETTINGS BY OPENING FRONT DOOR OR HOOD AND TURNING GAME ON AND OFF"</p>	<p>(1) Making and breaking memory protect interlock switch, check with VOM and replace if faulty.</p> <p>(2) Replace if faulty. Memory protect gates U56, U57, U59, Q1 or CMOS RAM U38.</p>
SPECIAL CHIP	"0" means tests passed	—	<p>(1) scanning rug pattern</p> <p>(2) blank screen instead of "INITIAL TESTS INDICATE ALL SYSTEMS GO"</p> <p>(3) high score table with no scores</p> <p>(4) intro blank or program crash</p>	<p>(1) Turn power off.</p> <p>(2) To find bad chip, replace 2 special chips one at a time with known good chips.</p> <p>(3) Turn machine on after each replacement and run through Power-Up Tests.</p>

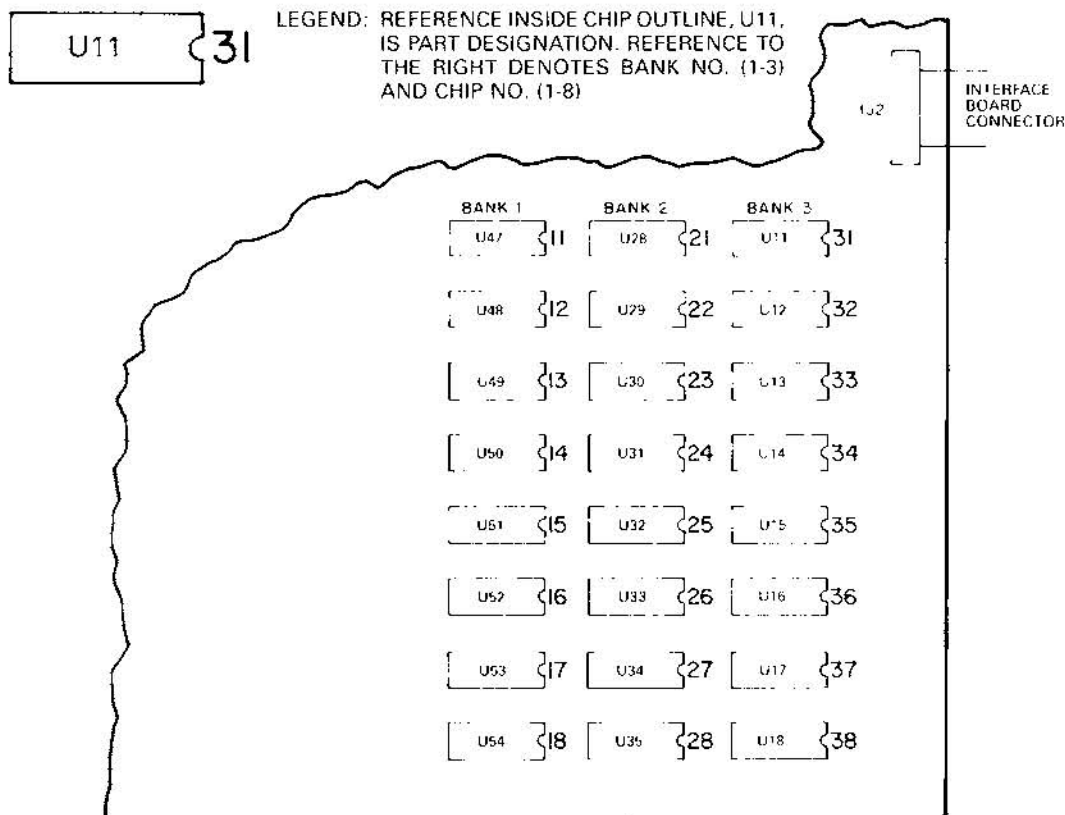


Figure 8. RAM Location and Numbering on CPU Board & ROM Board RAMS

+ 5VDC Power Supply Adjustments

BEFORE ADJUSTING THE VOLTAGE OUTPUT, always check at the output of the supply for AC hum. This hum should never rise above .005V on the +5VDC supply. If it does consult your schematic drawing set for proper DC voltages throughout the circuit. Test for these with the DC setting of your multimeter. Make a second check using the AC setting. Pay particular attention to readings at TP5 (top of capacitor C10). If the voltage here is low (less than +11VDC) or if you find excessive ripple (more than 700mVrms), replace the capacitor.

If TP1 is less than +4.95VDC, then check precision resistors R25 and R26. If they are within the 1% tolerance, then check IC2.

Self-Diagnostics

If RAM or ROM failure messages are displayed on the CRT after the "rug pattern" proceed with self-diagnostics. Self-diagnostic procedures are controlled by the AUTO-UP/MANUAL-DOWN switch to the MANUAL-DOWN position and depress the ADVANCE pushbutton. The game is now in its Diagnostic Mode and a ROM test is performed. With

ROM test results present on the CRT display, set the AUTO-UP/MANUAL-DOWN switch to the AUTO-UP position. Depressing the ADVANCE pushbutton initiates the RAM test.

Further tests (CMOS, sounds, switch, color RAM and monitor test patterns) are initiated as the ADVANCE pushbutton is depressed (once more for each subsequent test).

MONITOR TEST PATTERNS ("19" Wood Cabinet Upright Games only). For ease in adjustments, the monitor may be slid back and the screen viewed in the CRT mirror on the inside top of the cabinet. Remove the two bolts and carefully slide the monitor back in its shelf. Secure the monitor in the extended position by inserting the two bolts through holes provided at the left side of the monitor.

AUTO-CYCLE MODE. From the color bar pattern (or Game-Over with the switch set to AUTO-UP) depress ADVANCE two times to display GAME ADJUSTMENTS.

1. Position the cursor on AUTO CYCLE with the PLAYER 1 joystick and push the PLAYER 2 joystick right.
2. Depress ADVANCE.
3. The system will now sequence through ROM, RAM, and CMOS RAM tests repeatedly. The coin door or hood must be open during the Auto-Cycle test. If an error is detected, the test is terminated and the failure indication is displayed on the CRT.
4. To terminate the Auto-Cycle test, turn the game OFF and ON.

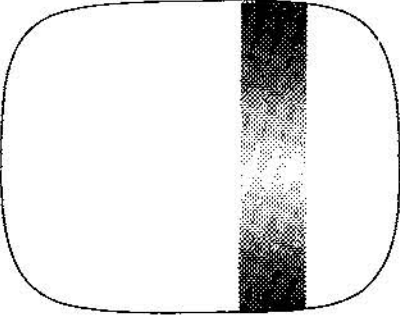
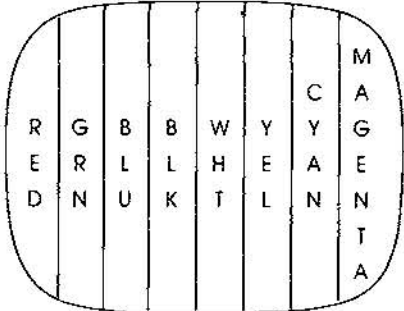
**TROUBLESHOOTING PROCEDURES:
DIAGNOSTIC MODE TESTS**

TEST	ROM BOARD LEDS RECOGNIZE CONDITION	ROM BOARD LEDS (IDENTIFY BAD CHIPS	VIDEO	REMEDY
ROM	"2" means ROM error	2-digit ROM chip no.	"ROM ERROR" and ROM chip no.	(1) Turn power off. (2) Replace suspected chip.
RAM	"1" means RAM error	Bank no first then chip no in bank (see figure 4)	"RAM ERROR" followed by RAM bank no and chip no. (Note: with multiple RAM failures this display may not appear)	*(1) Check for these normal voltages on indicated RAM chip: -5;pin 1, +12;pin 8, +5;pin 9. (2) Turn power off. (3) Replace suspected chip. (4) With multiple RAM failures always check power supply See POWER-UP TESTS.
CMOS (see CMOS RAM Test Protocol)	"3" means CMOS RAM error	—	"CMOS RAM ERROR OR WRITE PROTECT FAILURE"	(1) With power off, check pin 18 of CMOS RAM for 3.2VDC minimum. If present, replace CMOS chip U38. If absent, replace AA alkaline cells (2) With new alkaline cells and power off, check for 3.2V minimum at pin 18. If still absent, replace diodes D1 and D2. (3) Upon power-up and reentry into diagnostics if CMOS error message persists, check CMOS RAM memory protect and address decoding circuits with a logic probe.

Tests 4 and 7 provide sequential subtests. To stop automatic cycling set switch to **MANUAL-DOWN**. Depress **ADVANCE** in **MANUAL-DOWN** to step through subtests. LED indications are not made for these tests.

TEST & PROCEDURES	VIDEO	REMEDY OR ADJUSTMENT																														
SOUND (Test 4)	<table border="0"> <tr> <td>"RIGHT SOUND LINE 1"</td> <td>"LEFT SOUND LINE 1"</td> </tr> <tr> <td>"RIGHT SOUND LINE 2"</td> <td>"LEFT SOUND LINE 2"</td> </tr> <tr> <td>"RIGHT SOUND LINE 3"</td> <td>"LEFT SOUND LINE 3"</td> </tr> <tr> <td>"RIGHT SOUND LINE 4"</td> <td>"LEFT SOUND LINE 4"</td> </tr> <tr> <td>"RIGHT SOUND LINE 5"</td> <td>"LEFT SOUND LINE 5"</td> </tr> <tr> <td>"RIGHT SOUND LINE 6"</td> <td>"LEFT SOUND LINE 6"</td> </tr> </table> <p>(These appear one at a time.)</p>	"RIGHT SOUND LINE 1"	"LEFT SOUND LINE 1"	"RIGHT SOUND LINE 2"	"LEFT SOUND LINE 2"	"RIGHT SOUND LINE 3"	"LEFT SOUND LINE 3"	"RIGHT SOUND LINE 4"	"LEFT SOUND LINE 4"	"RIGHT SOUND LINE 5"	"LEFT SOUND LINE 5"	"RIGHT SOUND LINE 6"	"LEFT SOUND LINE 6"	<table border="0"> <tr> <td>MISSING</td> <td>CHECK</td> </tr> <tr> <td>1</td> <td>2P3:10P3/13P3 pin 3</td> </tr> <tr> <td>2</td> <td>2P3:10P3/13P3 pin 2</td> </tr> <tr> <td>3</td> <td>2P3:10P3/13P3 pin 5</td> </tr> <tr> <td>4</td> <td>2P3:10P3/13P3 pin 4</td> </tr> <tr> <td>5</td> <td>2P3:10P3/13P3 pin 8</td> </tr> <tr> <td>6</td> <td>2P3:10P3/13P3 pin 6</td> </tr> <tr> <td>All Right</td> <td>2P3:10P3 pin 7</td> </tr> <tr> <td>All Left</td> <td>2P3:13P3 pin 8</td> </tr> </table> <p>NOTE: If any two sounds are the same, check for a short between the select lines with the same sound.</p>	MISSING	CHECK	1	2P3:10P3/13P3 pin 3	2	2P3:10P3/13P3 pin 2	3	2P3:10P3/13P3 pin 5	4	2P3:10P3/13P3 pin 4	5	2P3:10P3/13P3 pin 8	6	2P3:10P3/13P3 pin 6	All Right	2P3:10P3 pin 7	All Left	2P3:13P3 pin 8
"RIGHT SOUND LINE 1"	"LEFT SOUND LINE 1"																															
"RIGHT SOUND LINE 2"	"LEFT SOUND LINE 2"																															
"RIGHT SOUND LINE 3"	"LEFT SOUND LINE 3"																															
"RIGHT SOUND LINE 4"	"LEFT SOUND LINE 4"																															
"RIGHT SOUND LINE 5"	"LEFT SOUND LINE 5"																															
"RIGHT SOUND LINE 6"	"LEFT SOUND LINE 6"																															
MISSING	CHECK																															
1	2P3:10P3/13P3 pin 3																															
2	2P3:10P3/13P3 pin 2																															
3	2P3:10P3/13P3 pin 5																															
4	2P3:10P3/13P3 pin 4																															
5	2P3:10P3/13P3 pin 8																															
6	2P3:10P3/13P3 pin 6																															
All Right	2P3:10P3 pin 7																															
All Left	2P3:13P3 pin 8																															
SWITCH (Test 5)	<p>CRT indicates AUTO-UP closed and any stuck switches. CRT Display for each Switch...</p> <table border="1"> <thead> <tr> <th>ROM BOARD SW.</th> <th>INTERFACE BOARD SW.</th> </tr> </thead> <tbody> <tr> <td>ADVANCE</td> <td>1-PLAYER START</td> </tr> <tr> <td>AUTO-UP</td> <td>2-PLAYER START</td> </tr> <tr> <td>HIGH SCORE</td> <td>UP-DOWN A</td> </tr> <tr> <td>RESET</td> <td>UP-DOWN B</td> </tr> <tr> <td>LEFT COIN</td> <td>UP-DOWN C</td> </tr> <tr> <td>(next to hinge)</td> <td>UP-DOWN DIRECTION</td> </tr> <tr> <td>CENTER COIN</td> <td>RIGHT-LEFT A</td> </tr> <tr> <td>RIGHT COIN</td> <td>RIGHT-LEFT B</td> </tr> <tr> <td>SLAM SWITCH</td> <td>RIGHT-LEFT C</td> </tr> <tr> <td></td> <td>RIGHT-LEFT DIRECTION</td> </tr> <tr> <td></td> <td>THRUST (JOYSTICK)</td> </tr> <tr> <td></td> <td>BLAST</td> </tr> <tr> <td></td> <td>THRUST (PANNEL)</td> </tr> </tbody> </table>	ROM BOARD SW.	INTERFACE BOARD SW.	ADVANCE	1-PLAYER START	AUTO-UP	2-PLAYER START	HIGH SCORE	UP-DOWN A	RESET	UP-DOWN B	LEFT COIN	UP-DOWN C	(next to hinge)	UP-DOWN DIRECTION	CENTER COIN	RIGHT-LEFT A	RIGHT COIN	RIGHT-LEFT B	SLAM SWITCH	RIGHT-LEFT C		RIGHT-LEFT DIRECTION		THRUST (JOYSTICK)		BLAST		THRUST (PANNEL)	<p>(Refer to CABINET WIRING Diagram)</p> <p>(1) ROM BOARD SWITCH STUCK: Disconnect 2P3</p> <p>(2) INTERFACE BOARD SWITCH STUCK: Disconnect 3P2 or 3P3.</p> <p>(3) ROM BOARD SWITCH DOES NOT OPERATE: Ground corresponding pin of 2P3</p> <p>(4) INTERFACE BOARD SWITCH DOES NOT OPERATE: Ground corresponding pin of 3P2 or 3P3.</p> <p>☐ SYMPTOM REMAINS SAME ... ROM Board or Interface Board Faulty.</p> <p>☐ SYMPTOM CLEARS UP ... Problem is in switches or wiring.</p> <p>ADDITIONAL TESTS FOR OPTOSWITCHES:</p> <p>(5) Check that +5VDC is at pin 1 or 12P1.</p> <p>(6) With joystick in center position, check for 0.7V at base of ON transistor(s) (Q1 thru Q6) and 0.1V at pin(s) 2, 3, 4, 6, 7 and 8 of 12P1.</p> <p>(7) With joystick moved from center position, check for 0.1V at base of OFF transistor(s), and -5V at corresponding pins 2, 3, 4, 6, 7 and 8 of 12P1.</p> <p>(8) With joystick in center position, check for -5V at pins 5 and 9 of 12P1. With joystick in Down (Left) position, check for -5V at pin 5 (9) of 12P1. With joystick in Up (Right) position, check for 0V at pin 5 (9) of 12P1.</p>		
ROM BOARD SW.	INTERFACE BOARD SW.																															
ADVANCE	1-PLAYER START																															
AUTO-UP	2-PLAYER START																															
HIGH SCORE	UP-DOWN A																															
RESET	UP-DOWN B																															
LEFT COIN	UP-DOWN C																															
(next to hinge)	UP-DOWN DIRECTION																															
CENTER COIN	RIGHT-LEFT A																															
RIGHT COIN	RIGHT-LEFT B																															
SLAM SWITCH	RIGHT-LEFT C																															
	RIGHT-LEFT DIRECTION																															
	THRUST (JOYSTICK)																															
	BLAST																															
	THRUST (PANNEL)																															

MORE DIAGNOSTIC MODE TESTS

TEST & PROCEDURES	VIDEO SEQUENCES	REMEDY OR ADJUSTMENT	
<p>COLOR RAM (Test 6)</p> <p>Note that a blank sequence or two sequences with the same shade indicate a faulty U92 latch, U90 RAM or U91 RAM or a failure in the color analog circuit. Check voltages on Q10 (red transistor), Q11 (green transistor) and Q12 (blue transistor). During the eight full-screen color tests, the base voltage (center pin) on each transistor should vary between 3.8V (brightest color) and 4.4V (no color).</p> <p>Color RAM Check</p> <p>(1) CRT sequences through 8 colors. 2 seconds each.</p> <p>(2) Thick vertical band indicates color RAM fault.</p> 	<p>1) light red screen 2) red screen 3) dark red screen</p> <p>4) light green screen 5) green screen 6) dark green screen</p> <p>7) light blue screen 8) blue screen</p> <p>4) light green screen</p> <p>5) green screen</p> <p>6) dark green screen</p>	<p>REPLACE RAM U91</p> <p>too-light or too-dark red or gray band</p> <p>yellow band</p> <p>magenta band</p> <p>green band</p> <p>light green band</p> <p>—</p>	<p>REPLACE RAM U90</p> <p>magenta band</p> <p>cyan band</p> <p>too-light or too-dark blue or gray band</p> <p>dark green band or gray band</p> <p>dark green band or gray band</p> <p>gray band</p>
<p>MONITOR & COLOR RAM (Test 7)</p>  <p align="center">Color Bar Pattern</p>	<p>cross hatch pattern</p> <p>red screen green screen blue screen color pattern</p> <p>color bars</p> <ul style="list-style-type: none"> • double-width • half-width • transposed • missing 	<p>Aids you in setting up vertical and horizontal linearity, convergence, and focus.</p> <p>Aid you in optimizing color purity and color balance.</p> <p>If color RAM test 6 indicates no faults, symptoms at left suggest a fault in U77, U90, U91 or U92 chips.</p>	

SOUND BOARD DIAGNOSTICS

SYMPTOM	TEST & PROCEDURES		
MISSING SOUNDS; NO SOUND—STEP 1 (ASSUMPTION: INPUT SECTION FAILURE)	<input type="checkbox"/> CHECK SOUND-SELECT INPUTS		
	TEST	TOOL	CONDITION & REMEDY
	Sound Board connector 10P3/13P3 pins 2 to 8	logic probe (game on and in Test 4)	. PULSING—proceed • LOW—check jacks, foils • STILL LOW—perform ROM BOARD checkbox.
	SR1 DIP resistors R3-R9	VOM—reading ohms (game off)	. ALL 4.7K—proceed • ANY OPEN—replace SR1
	C3-C9	VOM—reading ohms (game off)	. ALL OKAY—proceed • ANY SHORTED—replace bad
	IC5-1, IC7-14 (power pins)	logic probe (game on and in Test 4)	. HIGH—proceed • LOW—replace C19 (IC5) or C21 (IC7) • STILL LOW—replace bad IC
	IC5-2, 4, 6, 10, 12, 15; IC7-4, 6	logic probe (game on and in Test 4)	. PULSING—proceed • LOW—replace chip
	IC10-18 and 19 (PIA)	logic probe (game on and in Test 4)	. PULSING—proceed • LOW—lift C20, retest • PULSING NOW—replace C20 • STILL LOW—replace IC6, retest
IC10-10 to 17 (PIA)	logic probe (game on and in Test 4)	. PULSING—proceed • SOME LOW—replace IC • ALL LOW—lift C31, retest • PULSING NOW—replace C31 • STILL LOW—replace IC	

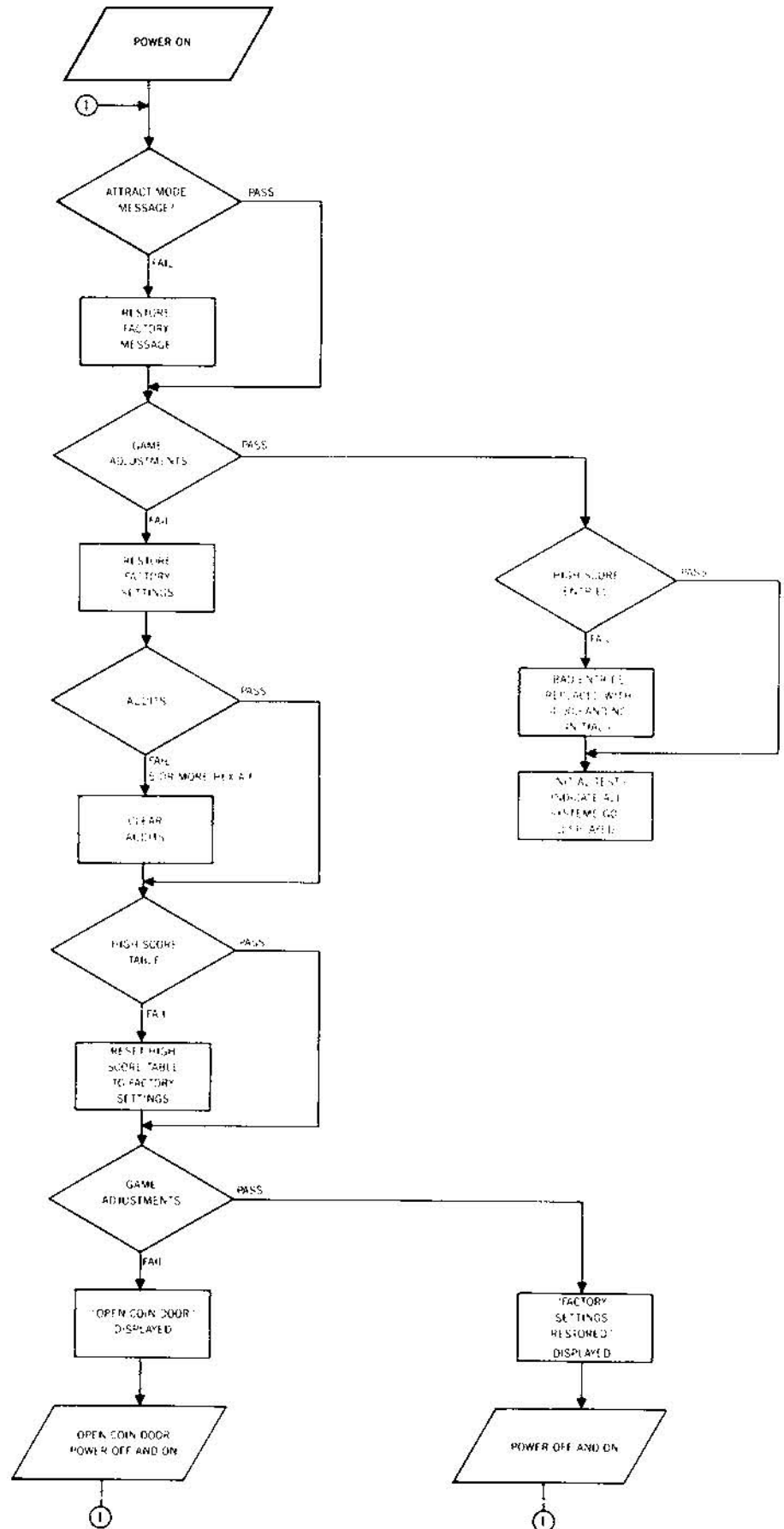
NOTE: In games where no sounds are produced from either sound board, disconnect both 9-pin connectors from one board and then the other. This isolates certain faults to a single Sound Board. If sounds are still not produced from either board, check ROM Board outputs on page 21 first.

MORE SOUND BOARD DIAGNOSTICS			
SYMPTOM	TEST & PROCEDURES		
MISSING SOUNDS; NO SOUND—STEP 2 <i>(ASSUMPTION: OFF-BOARD FAILURE)</i>	<input type="checkbox"/> CHECK ROM BOARD OUTPUTS (1) If you hear game sounds, disconnect and then reconnect Sound Board connectors 10P3 and 13P3. (2) You should hear one or more game sounds. If so, put game in Diagnostic Mode Test 4 and proceed with this checkbox. If not, go ahead to POWER SUPPLY checkbox below.		
	TEST	TOOL	CONDITION & REMEDY
	ROM Board connector 2P4/J4-2 to 7	logic probe (game on and in Test 4)	•PULSING—repair cable to Sound Board •ANY LOW—repair jack or foil, proceed
	U30 DIP resistors 2 to 8	VOM-reading ohms (game off)	•ALL 4.7K—proceed •ANY OPEN—replace U30
	C40-53	VOM-reading ohms (game off)	•ALL OKAY—proceed •ANY SHORTED—replace bad
U29-10 to 17 (PIA)	logic probe (game on and in Test 4)	•PULSING—proceed •SOME LOW—replace U29	
NO SOUND <i>(ASSUMPTION: POWER SECTION FAILURE)</i>	<input type="checkbox"/> CHECK ON-BOARD POWER SUPPLY (1) With power off, test for fuse continuity at F1 and F2. (2) With power on, check for +12V unregulated DC at TP1 and at pin 5 of IC1. (3) Now check for +5V regulated DC between TP4 and TP3. If voltages are absent or low, turn off game and lift one pin of filter capacitors C25, C26 and C27. (4) Check each with ohmmeter for possible shorts. (5) If capacitors are good and unregulated voltages test okay but you're missing +5V, replace regulator chip (IC8).		
STILL NO SOUND <i>(ASSUMPTION: AUDIO SECTION FAILURE)</i>	<input type="checkbox"/> CHECK AUDIO (ANALOG) SECTION (1) Turn power on; turn up volume control. Momentarily place powered-up AC soldering pencil on final amplifier's input pin (IC1, pin 1 or 10P4, pin 2). If you hear low hum, audio IC, volume pot and speaker are okay. (2) Repeat test at Q2 emitter. If you hear hum, analog section is okay. Step (1) will also work if you simply touch amplifier's input pin. <i>However output level of hum will be much lower than with soldering iron.</i> DO NOT use a soldering pencil of over 40 watts. Cordless models will NOT work here.		
MISSING SOUNDS; NO SOUND <i>(ASSUMPTION: DIGITAL FAILURE)</i>	<input type="checkbox"/> CHECK SOUND ROM (IC12) AND RELATED CIRCUITRY (1) Turn power on. (2) If you have no game sounds but power supply tests show normal voltages and no ripple on +5V, check crystal clock circuit. Using DVM or logic probe, test for pulsing AC across crystal. If clock signal's absent, replace crystal and associated capacitors. (3) Turn power off. (4) Swap sound ROM (IC12) and then microprocessor chip (IC9) with known-good chips. (5) Power-up and test Sound Board after each swap by pushing DIAGNOSTIC button.		

CMOS RAM Data Test Protocol

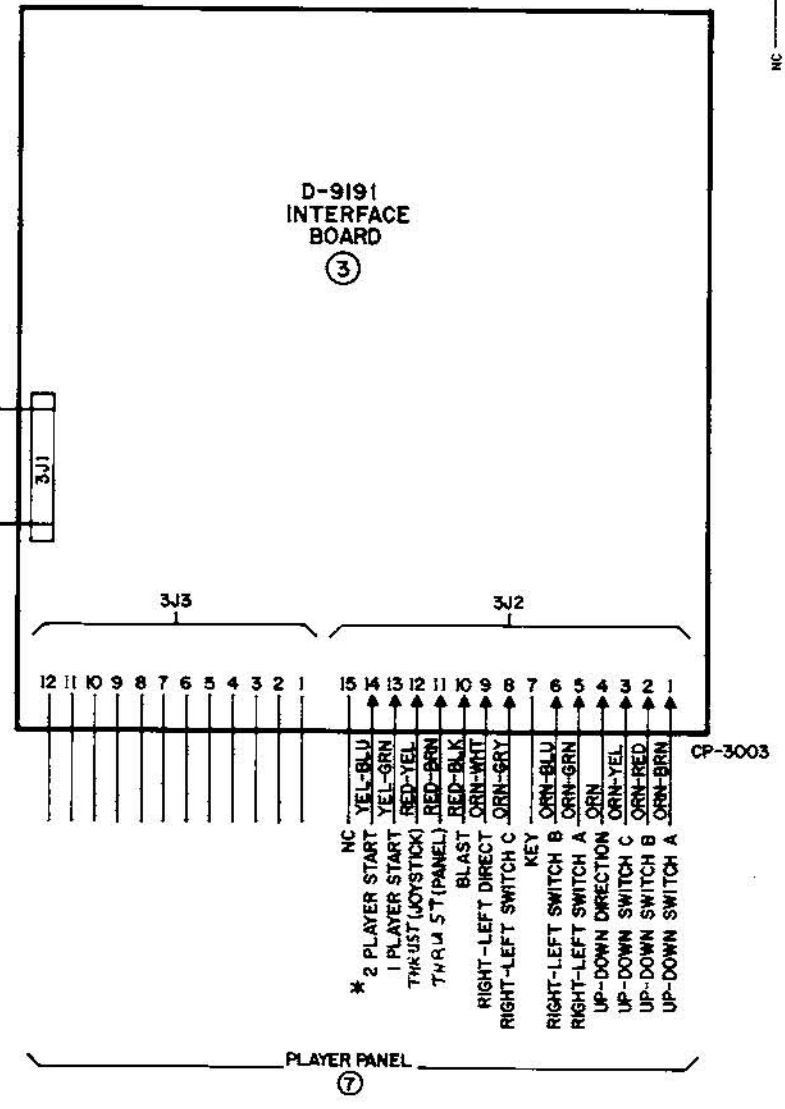
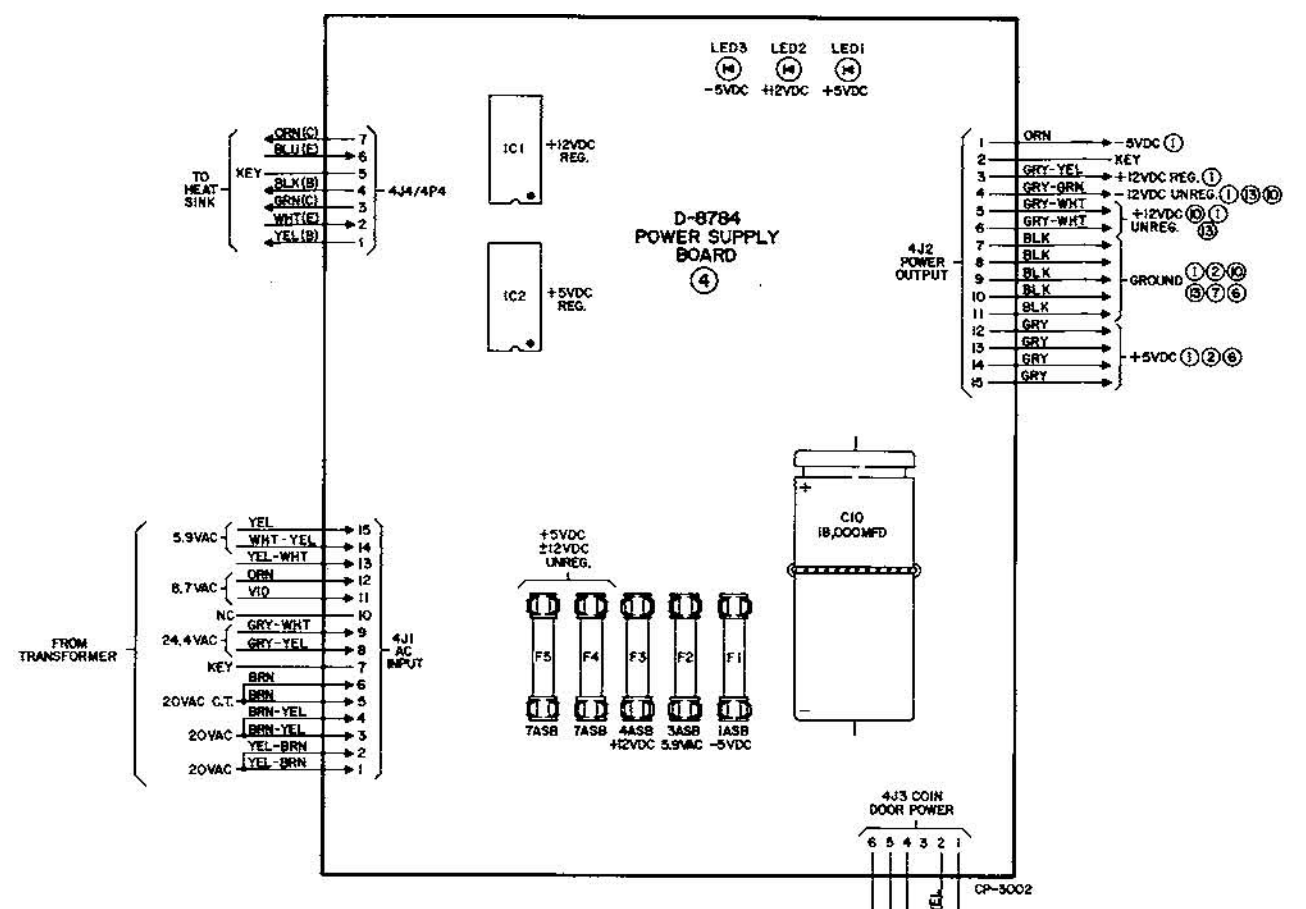
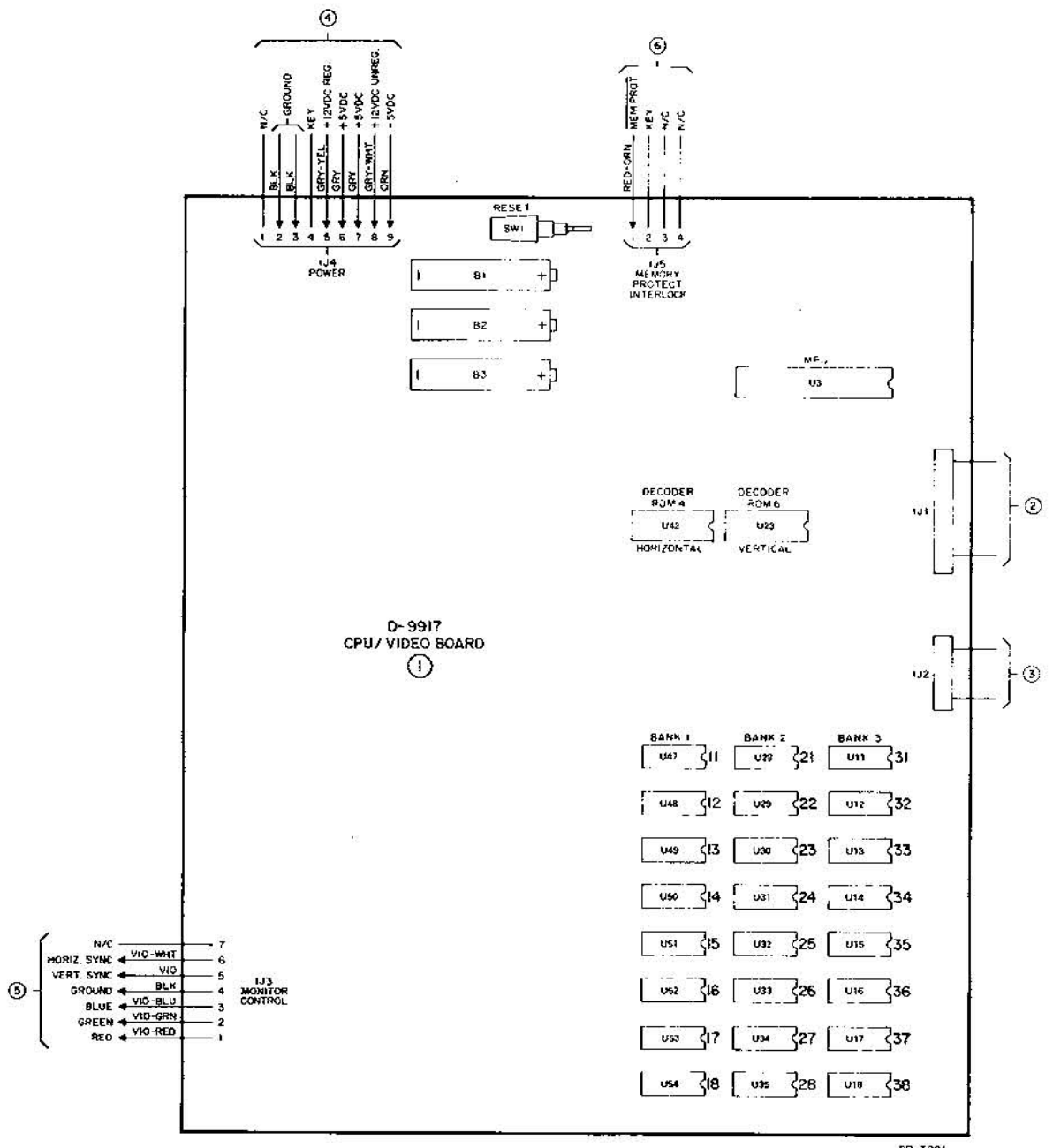
The first sub-test of the CMOS RAM data is that of the ATTRACT MODE MESSAGE checksum. If the test does not pass, the factory ATTRACT MODE MESSAGE is restored. Next, the game adjustments are checked and restored to factory settings if an error is found. If game adjustments are found intact, the high score table is checked for any bad entries. Bad entries are replaced with a score of 4,000 points and no initials. If all entries check, the game returns to the Game Over Mode.

If game adjustments are restored to factory settings, the AUDIT TOTALS are checked. If 5 or more audit digits are other than 0-9 (that is hexadecimal A through F) all audit totals are cleared. This is followed by a check of the high score table and the table is reset to factory settings if errors are found. Finally, game adjustments are rechecked and either OPEN COIN DOOR or FACTORY SETTINGS RESTORED is displayed. With the former, open the coin door and turn the game OFF and ON and then FACTORY SETTINGS RESTORED will be displayed. Return to game over by depressing the ADVANCE pushbutton or by turning the game OFF and ON a second time.

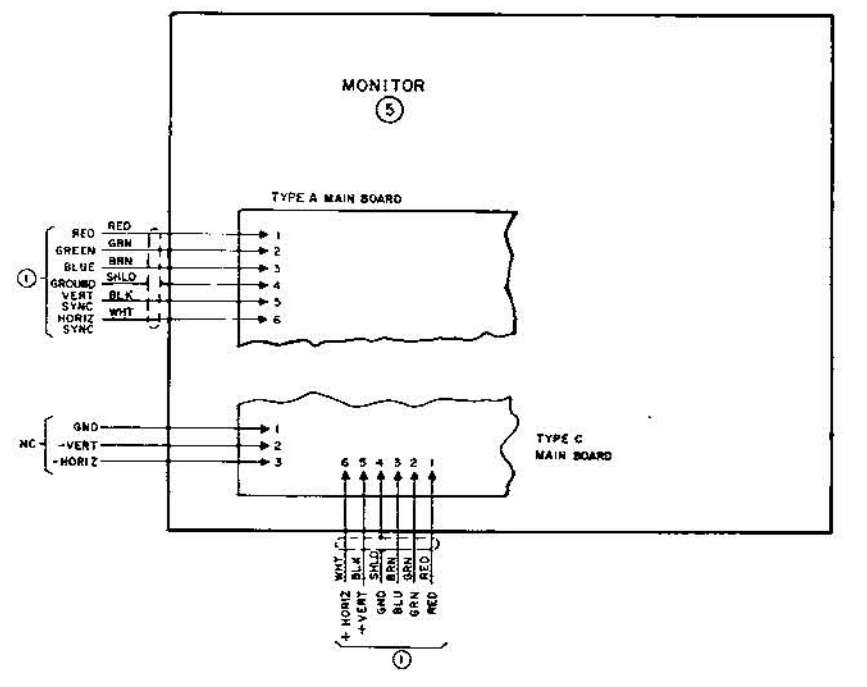


CHAPTER 4 Schematic and Logic Diagrams

<i>Interboard Wiring (Sheet 1 of 2)</i>	25
<i>Interboard Wiring (Sheet 2 of 2)</i>	26
<i>CPU Board Bill of Materials</i>	27
<i>CPU Board Assembly Drawing</i>	28
<i>CPU Board Logic Diagram (Sheet 1 of 3)</i>	29
<i>CPU Board Logic Diagram (Sheet 2 of 3)</i>	30
<i>CPU Board Logic Diagram (Sheet 3 of 3)</i>	31
<i>ROM Board Assembly Drawing</i>	32
<i>ROM Board Logic Diagram (Sheet 1 of 2)</i>	33
<i>ROM Board Logic Diagram (Sheet 2 of 2)</i>	34
<i>Interface Board Assembly and Logic Diagram</i>	35
<i>D-8784 Power Supply Assembly Drawing</i>	36
<i>D-8784 Power Supply Schematic Diagram</i>	37
<i>D-9444 Power Supply Assembly Drawing</i>	38
<i>D-9444 Power Supply Schematic Diagram</i>	39
<i>Power Wiring Diagram</i>	40
<i>Cabinet Wiring and Joystick Diagram</i>	41
<i>Sound Board Assembly Drawing</i>	42
<i>Sound Board Logic Diagram</i>	43



* 2-PLAYER START NOT CONNECTED IN COCKPIT GAMES



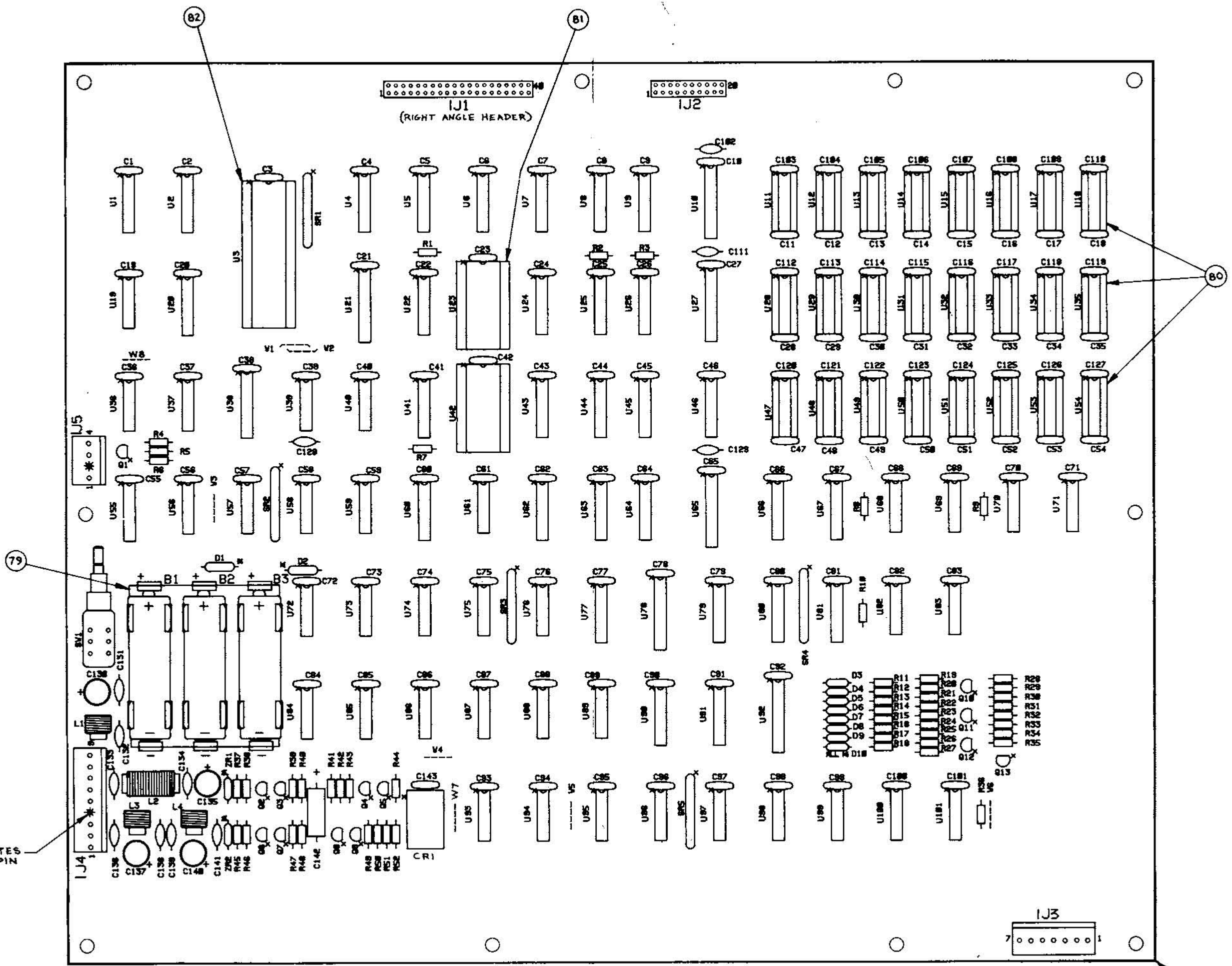
NOTES:

- FOR SCHEMATIC, REFER TO DWG. #16-8883.
- I.C. 4116:**
U11, U12, U13, U14, U15, U16, U17, U18, U28, U29, U30, U31, U32, U33, U34, U35, U47, U48, U49, U50, U51, U52, U53, U54.
- I.C. 74166:**
U8, U9, U25, U26, U44, U45, U63, U64.
- RESISTOR, 1K OHM:**
R6, R20, R23, R26, R37, R45.
- CAPACITOR, .001 MFD.:**
C131, C132, C133, C134, C136, C138, C139, C141.
- CAPACITOR, .01 MFD.:**
C1, C2, C3, C4, C5, C6, C7, C8, C9, C10, C11, C12, C13, C14, C15, C16, C17, C18, C19, C20, C21, C22, C23, C24, C25, C26, C27, C28, C29, C30, C31, C32, C33, C34, C35, C36, C37, C38, C39, C40, C41, C42, C43, C44, C45, C46, C47, C48, C49, C50, C51, C52, C53, C54, C55, C56, C57, C58, C59, C60, C61, C62, C63, C64, C65, C66, C67, C68, C69, C70, C71, C72, C73, C74, C75, C76, C77, C78, C79, C80, C81, C82, C83, C84, C85, C86, C87, C88, C89, C90, C91, C92, C93, C94, C95, C96, C97, C98, C99, C100, C101, C103, C104, C105, C106, C107, C108, C109, C110, C112, C113, C114, C115, C116, C117, C118, C119, C120, C121, C122, C123, C124, C125, C126, C127, C143.
- DIODE, 1N4148:**
D3, D4, D5, D6, D7, D8, D9, D10.
- TRANSISTORS, 2N3904:**
Q1, Q2, Q3, Q4, Q6, Q7, Q8, Q9.
- JUMPERS:**
W2, W3, W4, W5, W6, W7, W8;
W1 NOT USED.

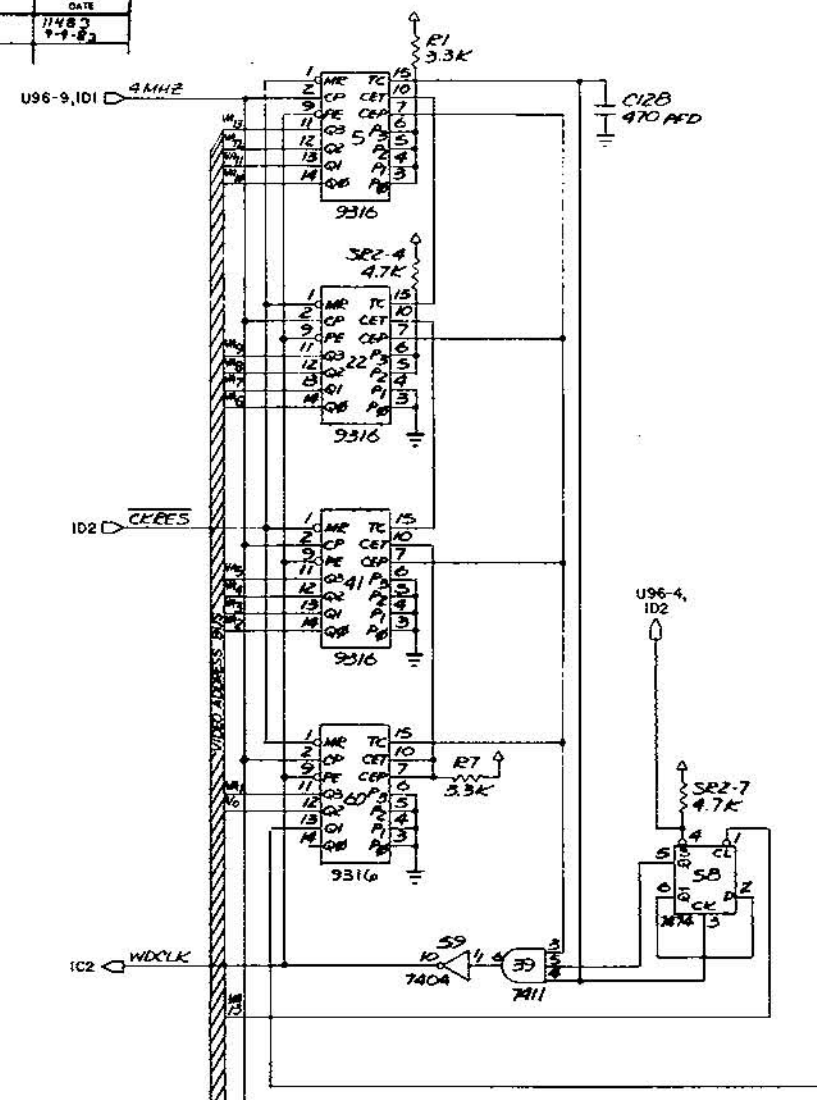
89				58	5010-09113-00	R47	RESISTOR, C.F., 33K OHM 5X 1/4 WATT	1	27	5281-09487-00	U73, U75, U85, U88	I.C., 74LS74, DUAL D-TYPE FLIP-FLOP	4
88	16-8850-03		LABEL PCB ASSY ID	57	5010-08774-00	R39, R40, R41, R42	RESISTOR, C.F., 22K OHM 5X 1/4 WATT	4	28	5280-09551-00	U76	I.C., 7425 DUAL 4-INPUT NOR-STROBE	1
87	5791-10444-00	1J1	40 PIN RIGHT ANGLE HEADER	56	5010-09034-00	R4, R38, R46	RESISTOR, C.F., 10K OHM 5X 1/4 WATT	3	25				
86	5791-09437-00	1J2	20 PIN RIBBON CABLE HEADER	55	5010-08991-00	R5, R8, R9, R10, R36	RESISTOR, C.F., 4.7K OHM 5X 1/4 WATT	5	24				
85	5791-09027-00	1J4	9 PIN HEADER, 09-65-1091	54	5010-08983-00	R1, R2, R3, R7, R44	RESISTOR, C.F., 3.3K OHM 5X 1/4 WATT	5	23	5202-10308-00	U69, U71	I.C., 74508 QUAD 2-INPUT AND	2
84	5791-09497-00	1J5	7 PIN HEADER, 09-65-1071	53	5010-08997-00	R43, R50	RESISTOR, C.F., 2.7K OHM 5X 1/4 WATT	2	22	5281-09215-00	U93	I.C., 74LS04, HEX. INVERTER	1
83	5791-09028-00	1J3	4 PIN HEADER, 09-65-1041	52	5010-08998-00	R52	RESISTOR, C.F., 2.2K OHM 5X 1/4 WATT	1	21				
82	5700-08985-00		40 PIN I.C. SOCKET	51	5010-09314-00	R12, R14	RESISTOR, C.F., 1.2K OHM 5X 1/4 WATT	2	20				
81	5700-09004-00		24 PIN I.C. SOCKET	50	5010-09358-00	SEE NOTE #4	RESISTOR, C.F., 1K OHM 5X 1/4 WATT	6	19	5280-09668-00	SEE NOTE #3	I.C., 74166, 8-BIT SHIFT REGISTER	8
80	5700-09006-00		16 PIN I.C. SOCKET	49	5010-08992-00	R11, R15, R17	RESISTOR, C.F., 560 OHM 5X 1/4 WATT	3	18	5280-09481-00	U7, U24, U43, U62	I.C., 74153, DUAL 4 TO 1 DATA INVERTER	4
79	5881-09021-00		BATTERY HOLDER #171	48	5010-09416-00	R34	RESISTOR, C.F., 470 OHM 5X 1/4 WATT	1	17	5282-10190-00	U61	I.C., 74S74, DUAL D-TYPE FLIP-FLOP	1
78	5880-09022-00	B1, B2, B3	BATTERY, ALKALINE, 1.5V (AA)	47	5010-09001-00	R13, R16, R18, R35	RESISTOR, C.F., 330 OHM 5X 1/4 WATT	4		5281-08715-00		I.C., 74LS289, 16 X 4 RAM	0
77	5641-09371-00	SW1	PUSH BUTTON SWITCH, SPST	46	5010-09508-00	R28, R29, R30	RESISTOR, C.F., 270 OHM 2X 1/4 WATT	3		5281-09483-00	U90	I.C., 74LS189, 16 X 4 RAM	0
	5641-09312-00		PUSH BUTTON SWITCH, DPDT MOMENTARY	45	5010-09187-00	R19, R21, R22, R24, R25, R27	RESISTOR, C.F., 150 OHM 5X 1/4 WATT	6	16	5282-09717-00	U91	I.C., 74S289, 16 X 4 RAM	0
76	5521-10028-00	CR1	OSCILLATOR, 12 MHZ	44	5010-09036-00	R51	RESISTOR, C.F., 100 OHM 5X 1/4 WATT	1		5282-09716-00		I.C., 74S189, 16 X 4 RAM	0
75	5551-09022-00	L2	INDUCTOR, 4.7UH, 3A.	43	5010-09548-00	R31, R32, R33	RESISTOR, C.F., 68 OHM 2X 1/4 WATT	3		5280-09625-00		I.C., 7489, 16 X 4 RAM	2
74	5551-10161-00	L1, L3, L4	INDUCTOR, 2.0UH, 3A.	42	5010-09039-00	R48	RESISTOR, C.F., 10 OHM 5X 1/4 WATT	1	15	5280-09479-00	U89, U101	I.C., 7486, QUAD 2-INPUT EX-OR	2
73	5019-09362-00	SR1, SR2, SR3, SR5	RESISTOR, 4.7K OHM 5X 10 PIN SIP	41	5010-09534-00	SEE NOTE 9	RESISTOR, C.F., 0 OHM 1/4 WATT	7	14	5280-09478-00	U58, U96, U97, U98	I.C., 7474, DUAL D-TYPE FLIP-FLOP	4
72	5019-09669-00	SR4	RESISTOR, 1K OHM 5X 10 PIN SIP	40	5280-09489-00	U5, U22, U41, U60	I.C., 9316, 4-BIT BINARY COUNTER	4	13	5280-09477-00	U57, U82	I.C., 7432, QUAD 2-INPUT OR	2
71	5190-10270-00	Q5, Q10, Q11, Q12, Q13	TRANSISTOR, TO-92, 2N3906	39	A-5342-09694-00	U23	I.C., 7641, UNIVERSAL VERT. DECODER ROM	1	12	5280-09476-00	U40, U74	I.C., 7421, DUAL 4-INPUT AND	2
70	5190-10269-00	SEE NOTE #8	TRANSISTOR, TO-92, 2N3904	38	A-5342-09694-00	U42	I.C., 7641, UNIVERSAL HORZ. DECODER ROM	1	11	5280-09530-00	U99	I.C., 7420, DUAL 4-INPUT NAND	1
69	5075-09018-00	ZR2	ZENER DIODE, 1N5969A 6.8 V	37	5281-09533-00	U36	I.C., 74LS393, DUAL 4-BIT BINARY COUNTER	1	10	5280-09475-00	U39, U95	I.C., 7411, TRIPLE 3-INPUT AND	2
68	5075-09059-00	ZR1	ZENER DIODE, 1N5980A 3.9 V	36	5281-09486-00	U78, U92	I.C., 74LS374, OCTAL D-TYPE FLIP-FLOP	2	9	5280-09011-00	U56, U68, U70, U87	I.C., 7410, TRIPLE 3-INPUT NAND	4
67	5070-09266-00	D2	DIODE, SILICON, 1N5817 1.0A	35	5281-09856-00	U10, U27, U65	I.C., 74LS373, OCTAL LATCH	3	8	5280-08973-00	U37	I.C., 7408, QUAD 2-INPUT AND	1
66	5070-08919-00	SEE NOTE #7	DIODE, SILICON, 1N4148 150 MA.	34	5370-08989-00	U2, U4, U6, U20	I.C., 8T97, HEX. TS BUFFER	0	7	5280-09013-00	U59, U83	I.C., 7404, HEX. INVERTER	2
65	5070-08258-00	D1	DIODE, 1N4001 1.0A	33	5281-09385-00		I.C., 74LS367, HEX. BUS DRIVER	4	6	5280-08948-00	U19, U72	I.C., 7402, QUAD 2-INPUT NOR	2
64	5040-09421-00	C130, C135, C137, C140	CAPACITOR, ELECT. P.D. 100 MFD. 25V +50-10%	33	5281-09485-00	U46, U77	I.C., 74LS257, QUAD DATA MLTPX.	2	5	5280-09073-00	U84	I.C., 7400, QUAD 2-INPUT NAND	3
63	5040-09545-00	C142	CAPACITOR, ELECT. AXL. 22 MFD. 10V +/-20%	32	5281-09308-00	U21	I.C., 74LS245, OCTAL BUS TRANSCEIVER	1	4	5400-09490-00	U86, U100	I.C., 6809E, MICROPROCESSOR	1
62	5043-08980-00	SEE NOTE #6	CAPACITOR, AXIAL .01 MFD. 50V +/-20%	31	5281-09738-00	U66, U67, U79, U80	I.C., 74LS157, QUAD 2 TO 1 LINE DATA MLTPX	4		5340-09667-00		I.C., 6514, 1K X 4 CMOS STATIC RAM	0
61	5043-09845-00	SEE NOTE #5	CAPACITOR, AXIAL .001 MFD. 50V +/-10%	30	5281-09246-00	U55, U81	I.C., 74LS139, DUAL 2 TO 4 LINE DECODER	2	3	5340-09689-00	U38	I.C., 5114, 1K X 4 CMOS STATIC RAM	1
60	5043-09065-00	C102, C111, C128, C129	CAPACITOR, AXIAL 470 PFD. 50V +/-20%	29	5281-09532-00	U1	I.C., 74LS133, 13-INPUT NAND	1	2	5340-10327-00	SEE NOTE #2	I.C., 4116, 16K X 1. 200NS	24
59	5010-09035-00	R49	RESISTOR, C.F., 47K OHM 5X 1/4 WATT	28	5281-09480-00	U94	I.C., 74LS107, DUAL J-K TYPE FLIP-FLOP	1	1	5770-10329-00		BARE P.C. BOARD, CPU	1

BILL OF MATERIALS

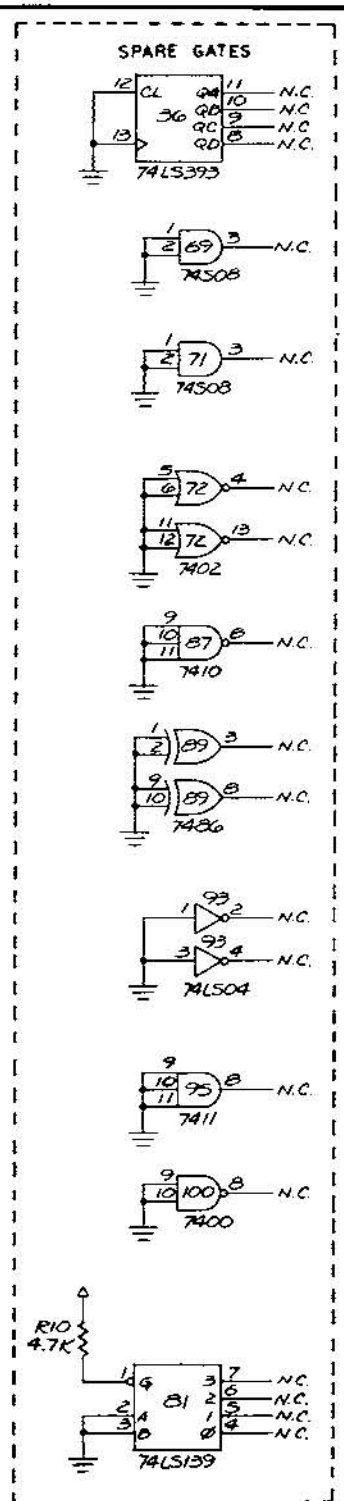
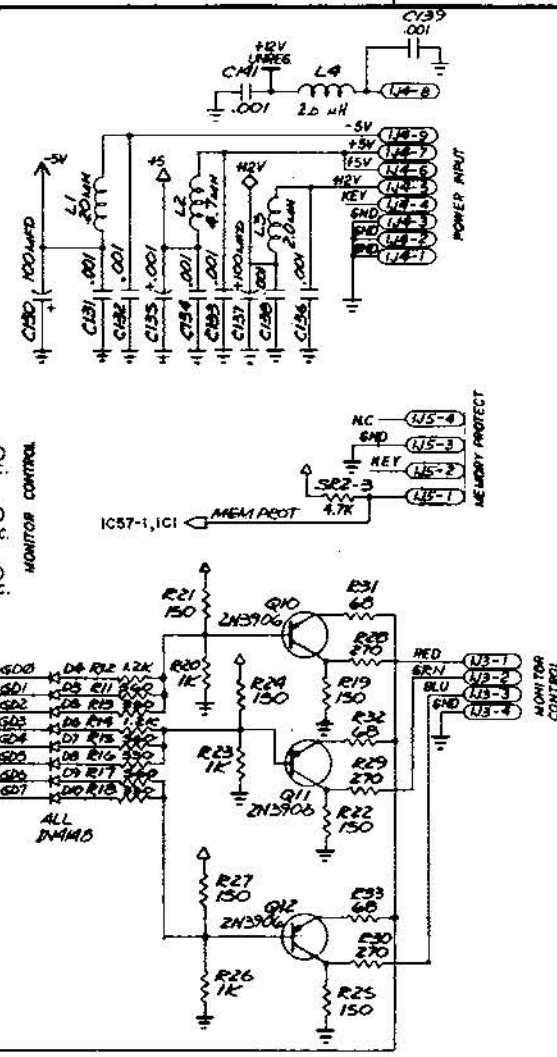
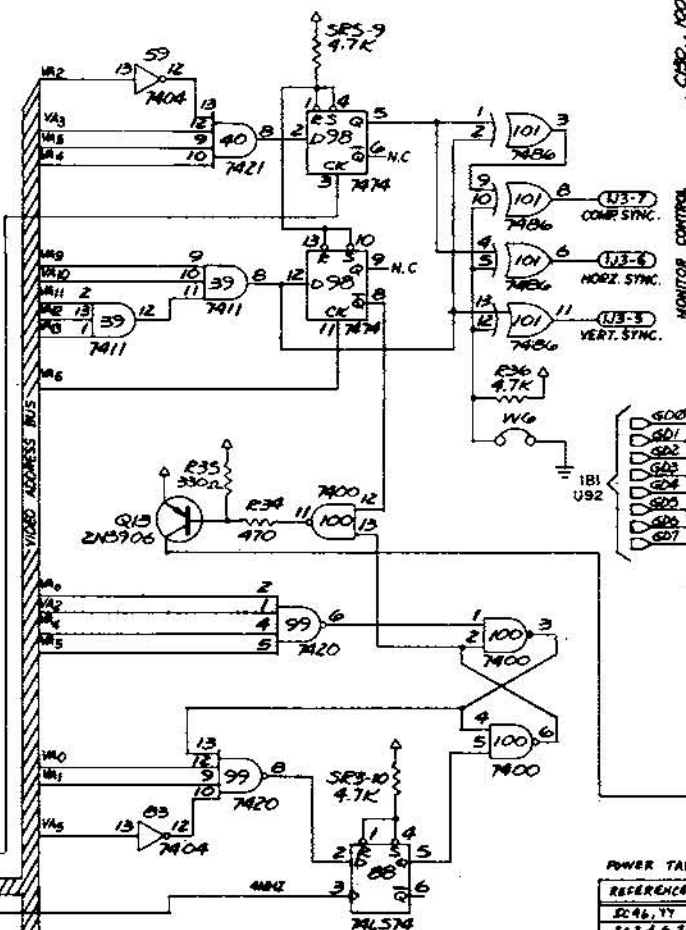
INDICATES KEYING PIN

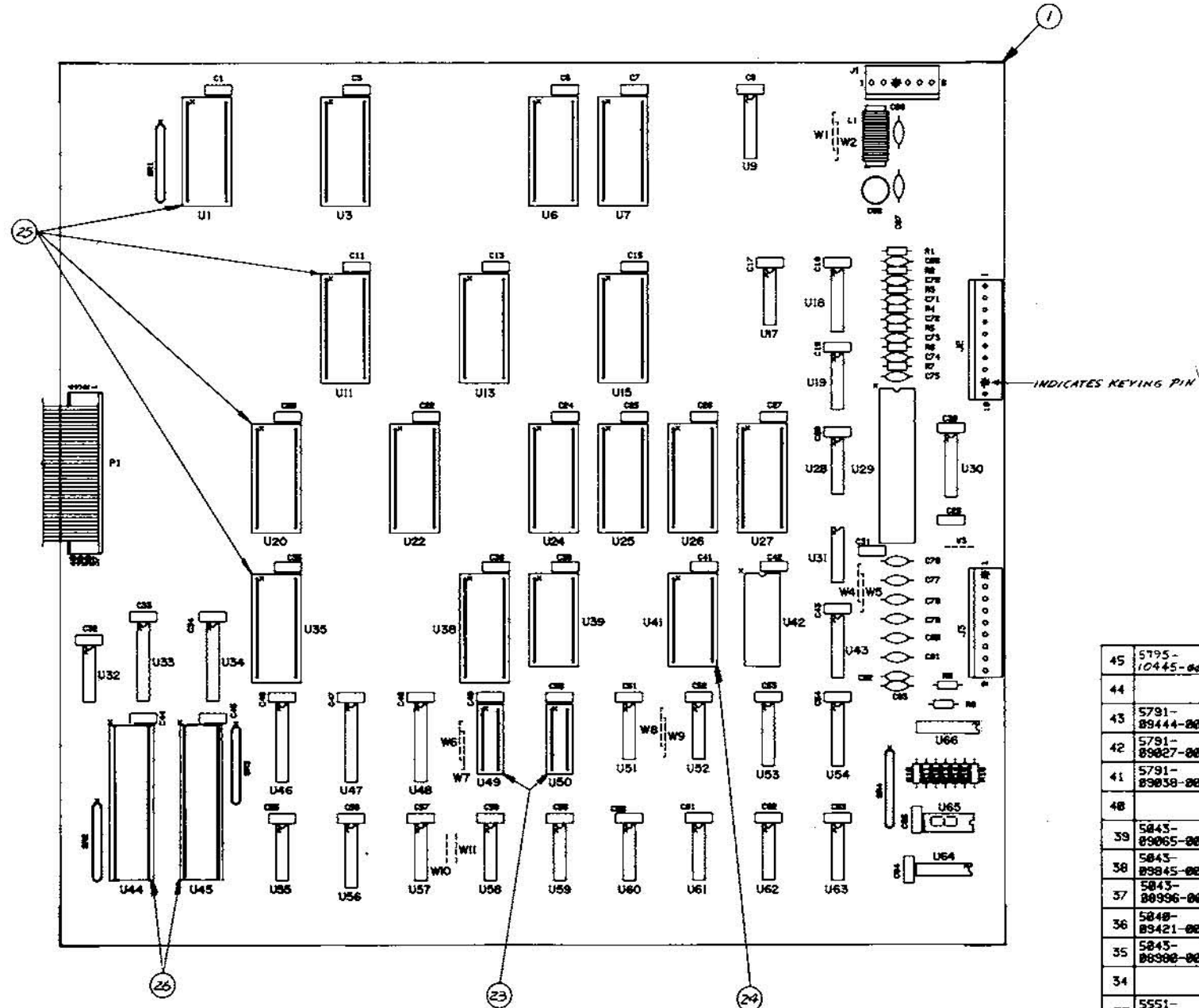


REV	DESCRIPTION OF CHANGE	ETCH DATE
NPR		1148 3 7-1-82



MONITOR INTERFACE SECTION





NOTE:
 1. C1, C4, C5, C8, C10, C12, C14, C16, C21, C23, C36, C37, C40 NOT USED.

GAME NAME	BLASTER
ASSY. NO.	D-9919
U1	A-5343-10397
U2	NOT USED
U3	A-5343-10398
U4	NOT USED
U5	NOT USED
U6	A-5343-10399
U7	A-5343-10400
U8	NOT USED
U10	NOT USED
U11	A-5343-10401
U12	NOT USED
U13	A-5343-10402
U14	NOT USED
U15	A-5343-10403
U16	NOT USED
U20	A-5343-10404
U21	NOT USED
U22	A-5343-10405
U23	NOT USED
U24	A-5343-10406
U25	A-5343-10407
U26	A-5343-10408
U27	A-5343-10409
U35	A-5343-10410
U36	NOT USED
U37	NOT USED
U38	A-5343-10411
U39	A-5343-10412
U40	NOT USED
U41	A-5343-10413
U49	A-5282-10426
U50	A-5282-10426
JUMPERS	W2, W5, W6, W8, W11

ITEM	PART NUMBER	PART DESIGNATION	DESCRIPTION	QTY.	ITEM	PART NUMBER	PART DESIGNATION	DESCRIPTION	QTY.
38	5818-09534-00	W3	RESISTOR, C.F., 0 OHM 1/4 WATT	1	15	5201-09308-00	U33	I.C., 74LS245 OCTAL BUS TRANSCEIVER	1
29	5818-08991-00	R8, R9	RESISTOR, C.F., 4.7K OHM 5% 1/4 WATT	2	14	5201-09867-00	U34, 46, 47	I.C., 74LS244 OCTAL BUF	3
28	5818-09187-00	R10 THRU R16	RESISTOR, C.F., 150 OHM 5% 1/4 WATT	7	13	5201-09753-00	U53	I.C., 74LS174 HEX FLIP-FLOP	1
27	5818-09358-00	R1 THRU R7	RESISTOR, C.F., 1K OHM 5% 1/4 WATT	7	12	5200-09018-00	U42	I.C., 74154 4 TO 16 LINE DECODER	1
26	5700-08985-00		SOCKET, 40 PIN	2	11	5201-09246-00	U43, 56	I.C., 74LS139, DUAL 2 TO 4 LINE DECODER	2
25	5700-18176-00		SOCKET, 28 PIN	15	10	5201-09745-00	U9, 54	I.C., 74LS138 3 TO 8 DECODER	2
24	5700-09004-00		SOCKET, 24 PIN	2	9	5201-09737-00	U63	I.C., 74LS96 QUAD 2-INPUT EXOR	1
23	5700-18383-00		SOCKET, 18 PIN	2	8	5201-09487-00	U31, 51, 52, 59	I.C., 74LS74 DUAL D-TYPE FLIP-FLOP	4
22					7	5200-09487-00	U66	I.C., 7447 BCD TO 7-SEG DECODER	1
21	5819-09233-00	U30	DIP, 4.7K 15R 16 5%	1	6	5201-09500-00	U19, 57, 61	I.C., 74LS52 QUAD 2-INPUT OR	3
20	5671-09411-00	U65	LED DISPLAY, 7-SEG.	1	5	5201-09235-00	U55, 64	I.C., 74LS18 TRIPLE 3-INPUT NAND	2
19					4	5201-09743-00	U17, 32, 68	I.C., 74LS88 QUAD 2-INPUT AND	3
18	5438-08972-00	U29	I.C., 6820/6821 PIA	1	3	5201-09215-00	U28, 58	I.C., 74LS04 HEX. INVERTER	2
17	5318-08975-00	U18	I.C., 4049 HEX INVERTER	1	2	5201-08499-00	U62	I.C., 74LS00 QUAD 2-INPUT NAND	1
16	5201-09486-00	U48	I.C., 74LS374, OCTAL D-TYPE FLIP-FLOP	1	1	5771-18315-00		BARE PC BOARD	1
45	5795-10445-00	P1	RIBBON ASSY., 40P	1					
44									
43	5791-09444-00	J2	CONNECTOR, 10P MALE 2391 09-65-1101	1					
42	5791-09027-00	J3	CONNECTOR, 9P MALE 2391 09-06-1091	1					
41	5791-09038-00	J1	CONNECTOR, 6P MALE 2391 09-65-1061	1					
40									
39	5843-09065-00	C29, C30	CAPACITOR, 470PF 50V +/-20	2					
38	5843-09845-00	C66, C69-C83	CAPACITOR, 1000PF 50V +/-20	16					
37	5843-08996-00	C67	CAPACITOR, .1MFD 50V +/-20	1					
36	5848-09421-00	C68	CAPACITOR, 100MFD .25V +/-50 -10	1					
35	5843-08900-00	C1-C28, SEE C31-C46 NOTE 2	CAPACITOR, .01MFD 50V +/-20	50					
34									
33	5551-09822-00	L1	INDUCTOR, 4.7UH, 3A	1					
32									
31	5819-09362-00	SR1 THRU SR4	S. I. P., 4.7K 9R 10P 5%	4					

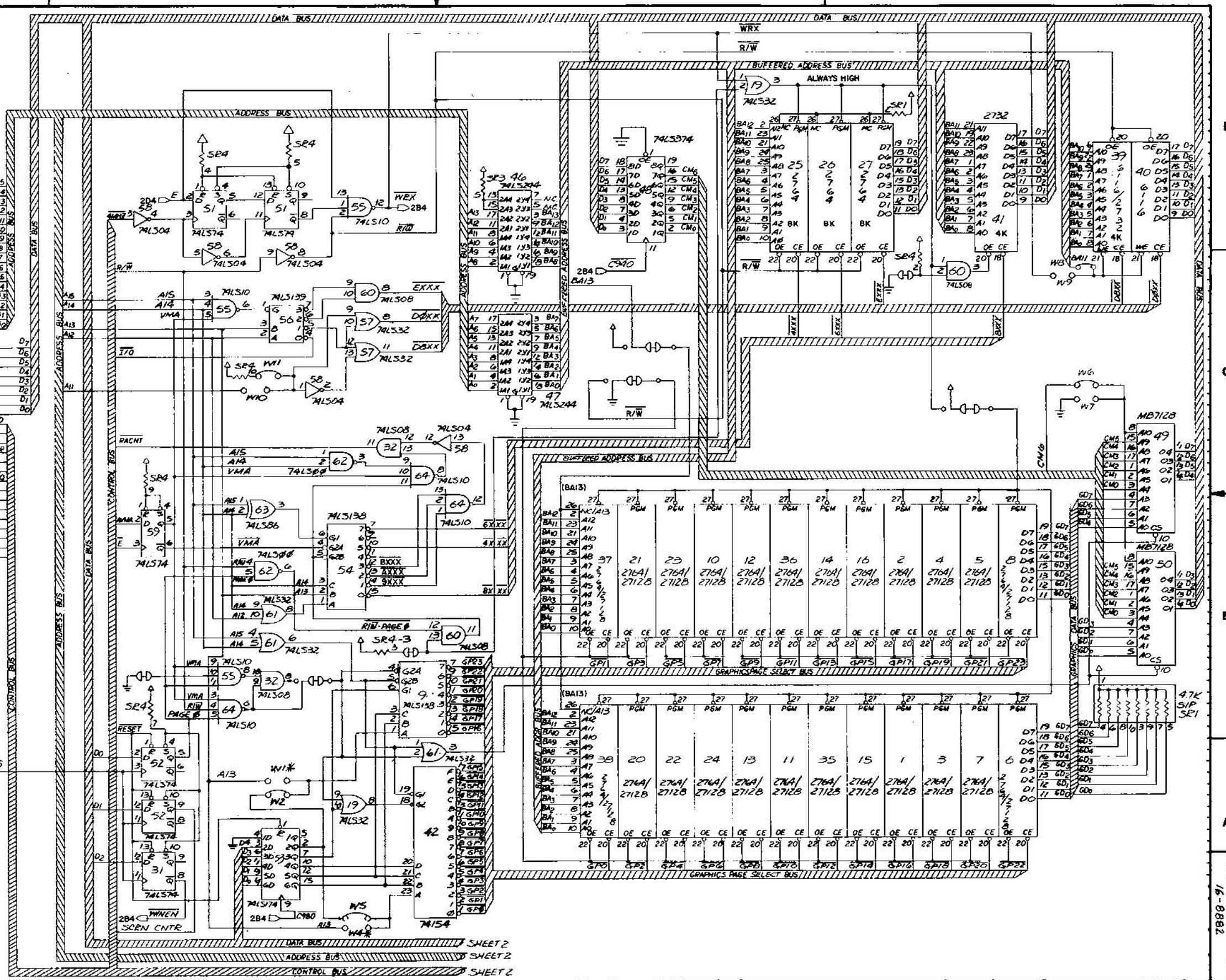
BILL OF MATERIALS

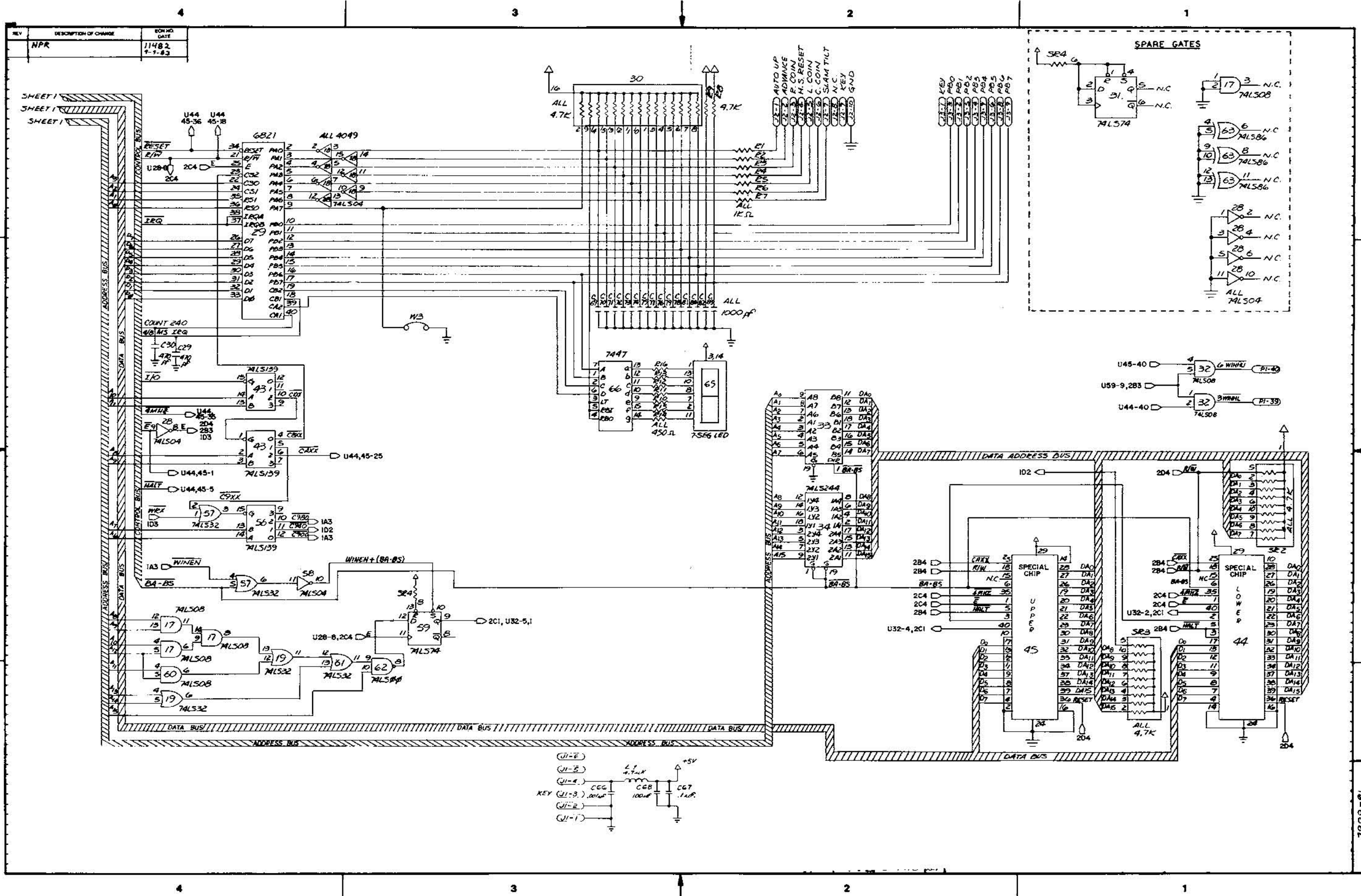
REV	DESCRIPTION OF CHANGE	EQ'NO DATE
NPR		11V82 7-7-82

- PI-23 A15
- PI-24 A14
- PI-25 A13
- PI-26 A12
- PI-27 A11
- PI-28 A10
- PI-29 A9
- PI-30 A8
- PI-31 A7
- PI-32 A6
- PI-33 A5
- PI-34 A4
- PI-35 A3
- PI-36 A2
- PI-37 A1
- PI-38 A0
- PI-19 D7
- PI-20 D6
- PI-21 D5
- PI-22 D4
- PI-23 D3
- PI-24 D2
- PI-25 D1
- PI-26 D0
- PI-3 COUNT 240
- PI-16 RESET
- PI-2 TRG
- PI-8 SCR NTR
- PI-20 R/W
- PI-24 4/0 MS TRG
- PI-12 R/O
- PI-25 RACNT
- PI-26 AVMA
- PI-27 E
- PI-28 BA-BS
- PI-29 MALT
- PI-30 WINR
- PI-31 WINR1
- PI-32 WINR2
- PI-33 WINR3
- PI-34 WINR4
- PI-35 WINR5
- PI-36 WINR6
- PI-37 WINR7
- PI-38 WINR8
- PI-39 WINR9
- PI-40 WINR10
- PI-41 WINR11
- PI-42 WINR12
- PI-43 WINR13
- PI-44 WINR14
- PI-45 WINR15
- PI-46 WINR16
- PI-47 WINR17
- PI-48 WINR18
- PI-49 WINR19
- PI-50 WINR20
- PI-51 WINR21
- PI-52 WINR22
- PI-53 WINR23
- PI-54 WINR24
- PI-55 WINR25
- PI-56 WINR26
- PI-57 WINR27
- PI-58 WINR28
- PI-59 WINR29
- PI-60 WINR30
- PI-61 WINR31
- PI-62 WINR32
- PI-63 WINR33
- PI-64 WINR34
- PI-65 WINR35
- PI-66 WINR36
- PI-67 WINR37
- PI-68 WINR38
- PI-69 WINR39
- PI-70 WINR40
- PI-71 WINR41
- PI-72 WINR42
- PI-73 WINR43
- PI-74 WINR44
- PI-75 WINR45
- PI-76 WINR46
- PI-77 WINR47
- PI-78 WINR48
- PI-79 WINR49
- PI-80 WINR50
- PI-81 WINR51
- PI-82 WINR52
- PI-83 WINR53
- PI-84 WINR54
- PI-85 WINR55
- PI-86 WINR56
- PI-87 WINR57
- PI-88 WINR58
- PI-89 WINR59
- PI-90 WINR60
- PI-91 WINR61
- PI-92 WINR62
- PI-93 WINR63
- PI-94 WINR64
- PI-95 WINR65
- PI-96 WINR66
- PI-97 WINR67
- PI-98 WINR68
- PI-99 WINR69
- PI-100 WINR70

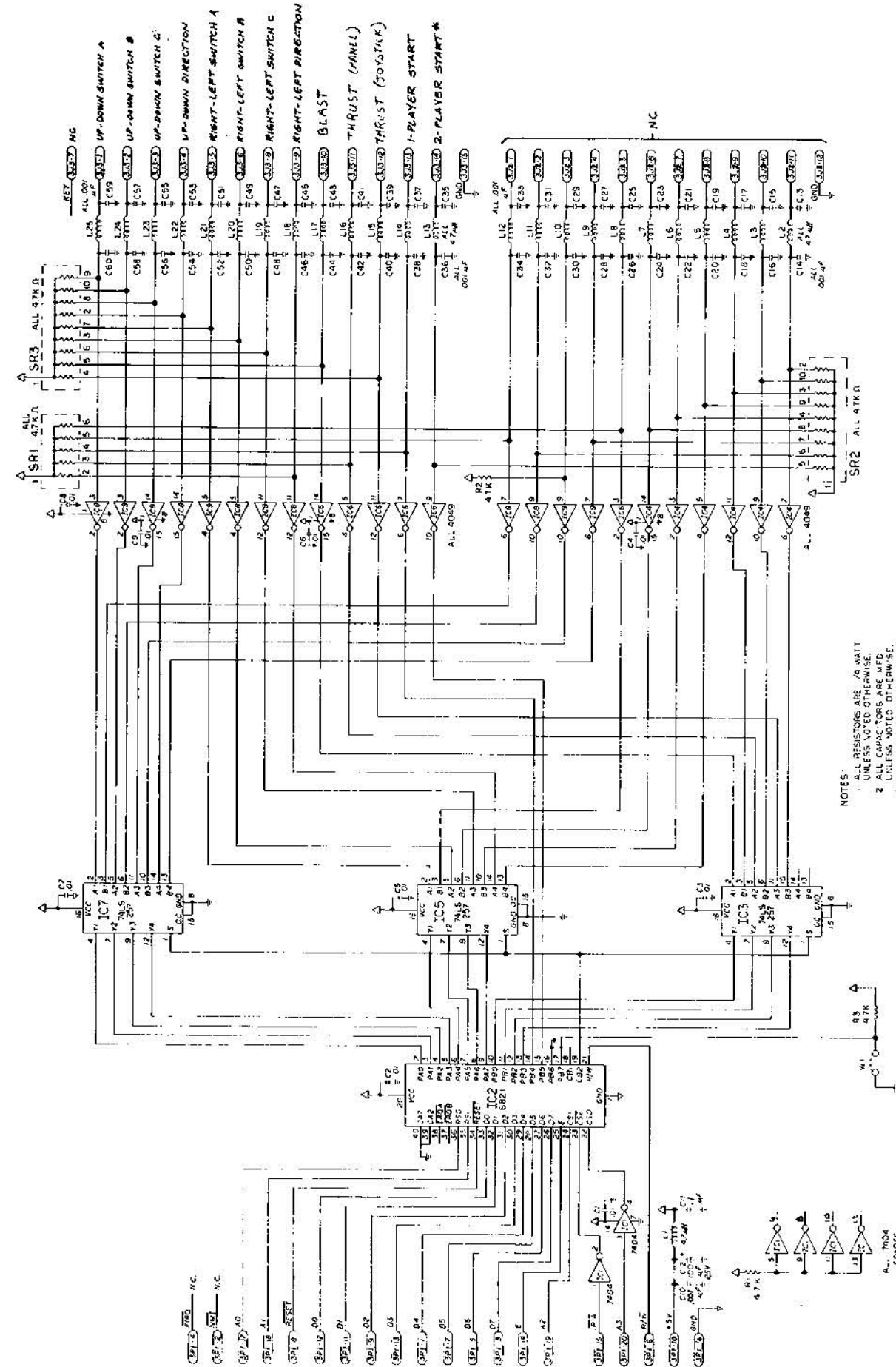
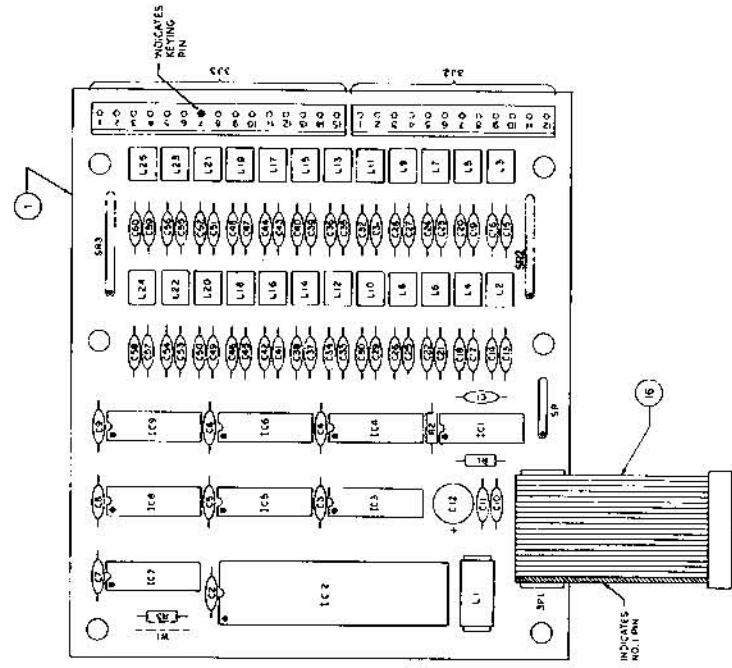
* W1 & W4 USED FOR 2764
W1 & W5 USED FOR 27128

REFERENCE DES'G	DESCRIPTION	+5V	GND
IC62	74LS00	14	7
IC18,5P	74LS04	14	7
IC17,32,60	74LS08	14	7
IC55,64	74LS10	14	7
IC19,57,6	74LS32	14	7
IC66	7407	16	8
IC31,51,62,59	74LS74	14	7
IC63	74LS86	14	7
IC9,54	74LS138	16	8
IC43,56	74LS139	16	8
IC42	74LS54	24	12
IC53	74LS174	16	8
IC34,44,47	74LS244	20	10
IC55	74LS245	20	10
IC48	74LS274	20	10
IC18	4049	7	8
IC29	6821	20	7
IC49,50	PROM	18	9
IC44,45	256C CHIP	29	24

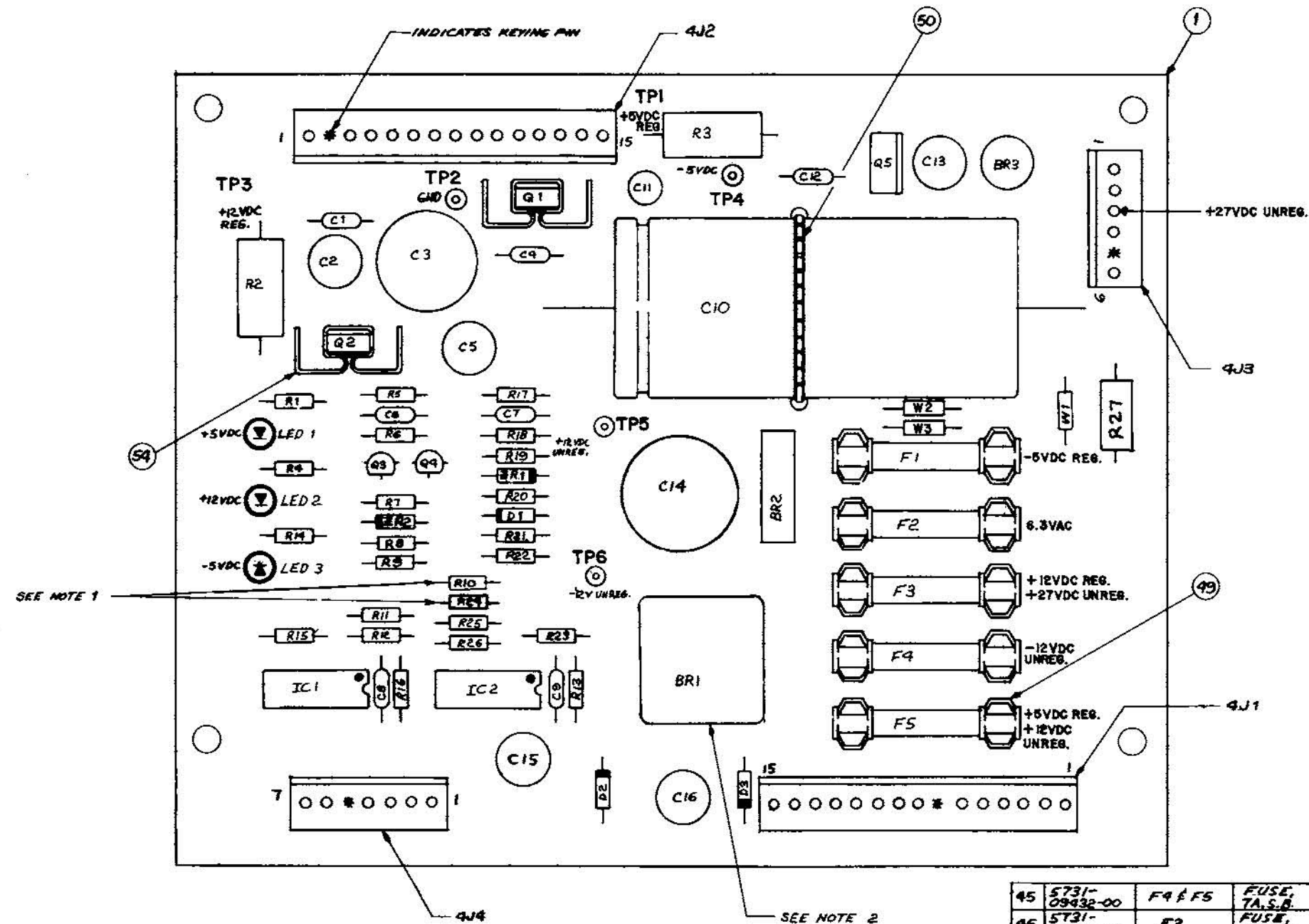




BILL OF MATERIAL			
ITEM NO.	PART NO.	DESCRIPTION	NO. REQD.
1	5772	PC BOARD	1
2	5803-00	IC, 7404 HEX INVERTER	1
3	5802-00	IC, 7404 HEX INVERTER	1
4	5803-00	IC, 7404 HEX INVERTER	3
5	5803-00	IC, 7404 HEX INVERTER	4
6	5803-00	IC, 7404 HEX INVERTER	3
7	5803-00	IC, 7404 HEX INVERTER	1
8	5803-00	IC, 7404 HEX INVERTER	2
9	5803-00	IC, 7404 HEX INVERTER	49
10	5803-00	IC, 7404 HEX INVERTER	1
11	5803-00	IC, 7404 HEX INVERTER	1
12	5803-00	IC, 7404 HEX INVERTER	1
13	5803-00	IC, 7404 HEX INVERTER	24
14	5803-00	IC, 7404 HEX INVERTER	1
15	5803-00	IC, 7404 HEX INVERTER	1
16	5803-00	IC, 7404 HEX INVERTER	1
17	5803-00	IC, 7404 HEX INVERTER	9
18	5803-00	IC, 7404 HEX INVERTER	0



NOTES:
 1 ALL RESISTORS ARE 1/4 WATT
 2 ALL CAPACITORS ARE MFD.
 3 ALL UNLESS NOTED OTHERWISE.
 * REPEATED PARTS NOT SHOWN.



NOTES:

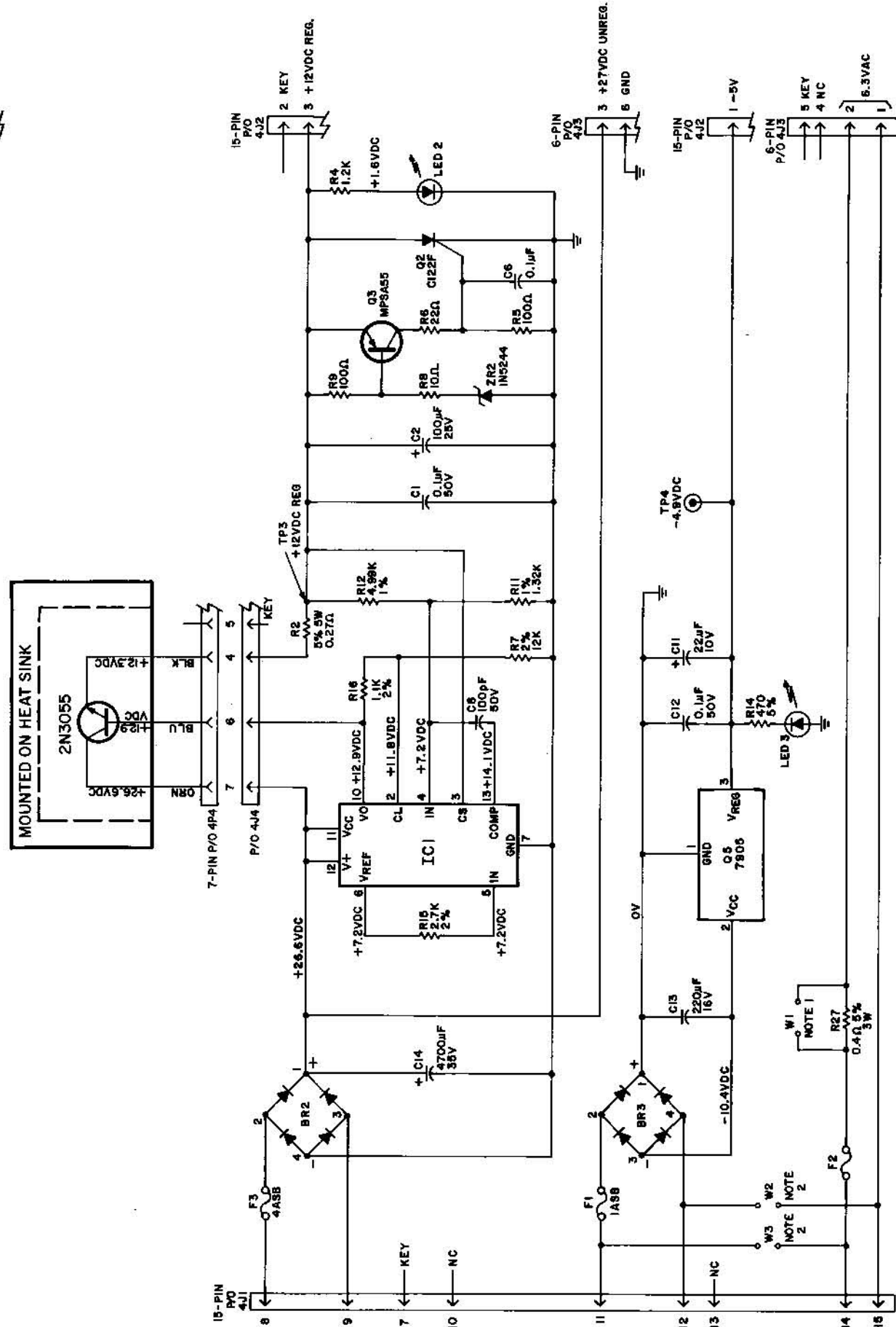
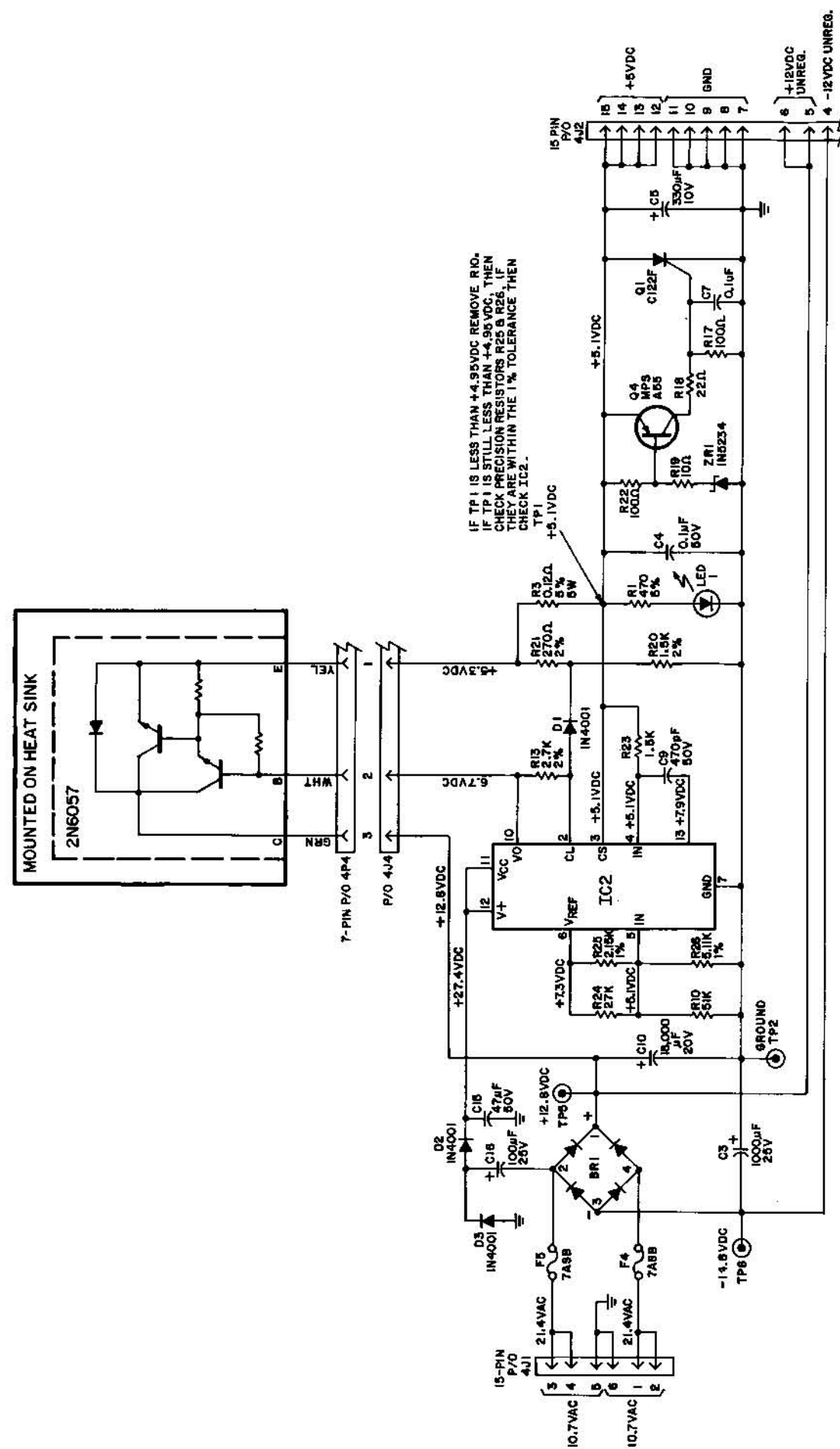
1. REMOVE R24 IF +5VDC IS GREATER THAN 5.25 VDC, REMOVE R10 IF +5VDC IS LESS THAN 4.75 VDC.
2. BR1 MUST BE MOUNTED 1/8" ABOVE SURFACE OF BOARD.
3. FOR SCHEMATIC REFER TO 16-8811.

ITEM NO.	PART NO.	PART DESIGNATION	DESCRIPTION	REQ'D NO.
55	5010-09082-00	R10	RESISTOR C.F. 51K ± 5% 1/4W	1
56	5010-09524-00	R24	RESISTOR C.F. 27K ± 5% 1/4W	1

45	5731-09432-00	F4 & F5	FUSE, T.A.S.B.	2
46	5731-06314-00	F3	FUSE, 9A, 5.B., 250V	1
47	5731-06563-00	F1	FUSE, 1A, 5.B., 250V	1
48	5731-02651-00	F2	FUSE, 3A, 5.B., 250V	1
49	5732-03178-00		FUSEHOLDER,	10
50	03-7620		TIE WRAP	1
51	5731-09074-00	4J1 & 4J2	HEADER, 15 PIN 09-65-101	2
52	5731-09097-00	4J3	HEADER, 6 PIN 09-65-1061	1
53	5731-09157-00	4J4	HEADER, 7 PIN 09-65-1071	1
54	5705-02663-00		HEAT SINK	2
	5706-09688-00		HEAT SINK	0

BILL OF MATERIAL

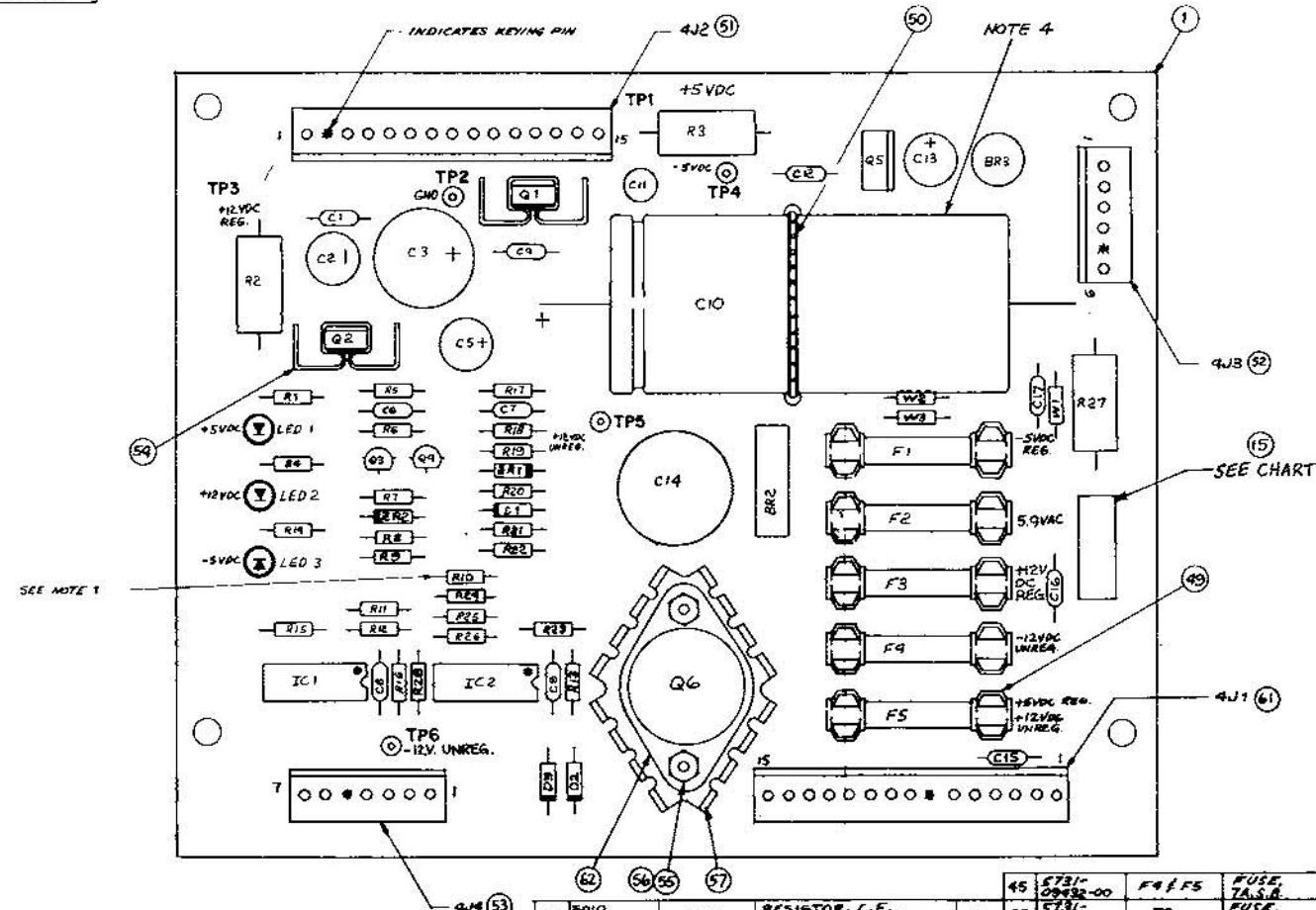
ITEM NO.	PART NO.	PART DESIGNATION	DESCRIPTION	REQ'D NO.
1	5773-09678-00		BARE P.C. BOARD	1
2	5010-09085-00	R23	RESISTOR, 1.5K 5% 1/4W	1
3	5010-08541-00	R13, R15	RESISTOR, 2.7K 2% 1/4W	2
4	5010-09508-00	R21	RESISTOR, 870Ω 2% 1/4W	1
5	5010-09428-00	R20	RESISTOR, 1.5K 2% 1/4W	1
6	5010-09509-00	R16	RESISTOR, 11K 2% 1/4W	1
7	5010-08510-00	R7	RESISTOR, 12K 2% 1/4W	1
8	5010-09314-00	R4	RESISTOR, 1.2K 5% 1/4W	1
9	5010-09115-00	R1, R14	RESISTOR, 470Ω 5% 1/4W	2
10	5013-09542-00	R11	RESISTOR, 7.5K 1% 1/4W	1
11	5013-08427-00	R12	RESISTOR, 4.99K 1% 1/4W	1
12	5013-08426-00	R25	RESISTOR, 2.15K 1% 1/4W	1
13	5012-09429-00	R3	RESISTOR, 12Ω 5% 5W	1
14	5012-09512-00	R2	RESISTOR, 27Ω 5% 5W	1
15	5012-09037-00	R27	RESISTOR, 6.41K 5% 3W	1
16	5012-09665-00	R26	RESISTOR, 5.11K 1% 1/4W	1
17	5010-09434-00	R6, R18	RESISTOR, C.F. 22Ω ± 5% 1/4W	2
18	5010-09036-00	R5, R9, R17 & R22	RESISTOR, C.F. 100Ω ± 5% 1/4W	4
19	5010-09039-00	R8, R19	RESISTOR, C.F. 10Ω ± 5% 1/4W	2
20	5010-09534-00	W1	RESISTOR, 0Ω	1
21	5043-08986-00	C6, C7	CAPACITOR, 0.1μF CERAMIC +80% -20% 50V	2
22	5040-09421-00	C2, C16	CAPACITOR, 100MFD, 25V RADIAL +50% -10%	2
23	5040-09422-00	C15	CAPACITOR, 47 MFD, 50V RADIAL +50% -10%	1
24	5040-09420-00	C3	CAPACITOR, 1000MFD, 25V RADIAL +75% -10%	1
25	5040-09419-00	C10	CAPACITOR, 18,000MFD 20V AXIAL +75% -10%	1
26	5040-09423-00	C5	CAPACITOR, 330 MFD 10V RADIAL +50% -10%	1
27	5040-09504-00	C14	CAPACITOR, 4700MFD 35V RADIAL +50% -10%	1
28	5043-09446-00	C1, C4 & C12	CAPACITOR, 1MFD 50V AXIAL 25V -50% +80%	3
29	5043-08065-00	C9	CAPACITOR, 470MFD 50V AXIAL XTR ± 10%	1
30	5043-09492-00	C8	CAPACITOR, 100MFD 50V AXIAL SEL ± 5%	1
31	5040-09506-00	C13	CAPACITOR, 280MFD 16V RADIAL +50% -10%	1
32	5040-09493-00	C11	CAPACITOR, 22MFD 10V RADIAL +50% -10%	1
33	5070-06228-00	D1, D2 & D3	DIODE, (1N4001)	3
34	5075-09406-00	ZR1	ZENER, 1N5224 ± 5% (6.2V)	1
35	5075-09662-00	ZR2	ZENER, 1N5224 ± 5% (14V)	1
36	5190-09430-00	Q3, Q4	TRANSISTOR, MPS A55	2
37	5130-09661-00	Q1, Q2	SCR, 8 AMP, 100V	2
38	1250-09515-00	Q5	VOLTAGE REGULATOR, T905	1
39	5460-08426-00	IC1, IC2	VOLTAGE REGULATOR, 783	2
40	3000-09090-00	BR1	BRIDGE RECTIFIER, 35 AMP, 200V	1
41	5100-09513-00	BR2	BRIDGE RECTIFIER, 4.0A, 50V	1
42	5100-08514-00	BR3	BRIDGE RECTIFIER, 1.0A, 50V	1
43	5671-09008-00	LED1, LED2, LED3	LED, RED	3
44	5824-09248-00	TP1 - TP6	TERMINAL # 1502-1 (TEST POINT)	4



- NOTES:
 1. W1 IS NOT USED ON UPRIGHT GAMES.
 2. W2 & W3 ARE NOT USED.
 3. IASB 230V.

D-8784 Power Supply Schematic Diagram

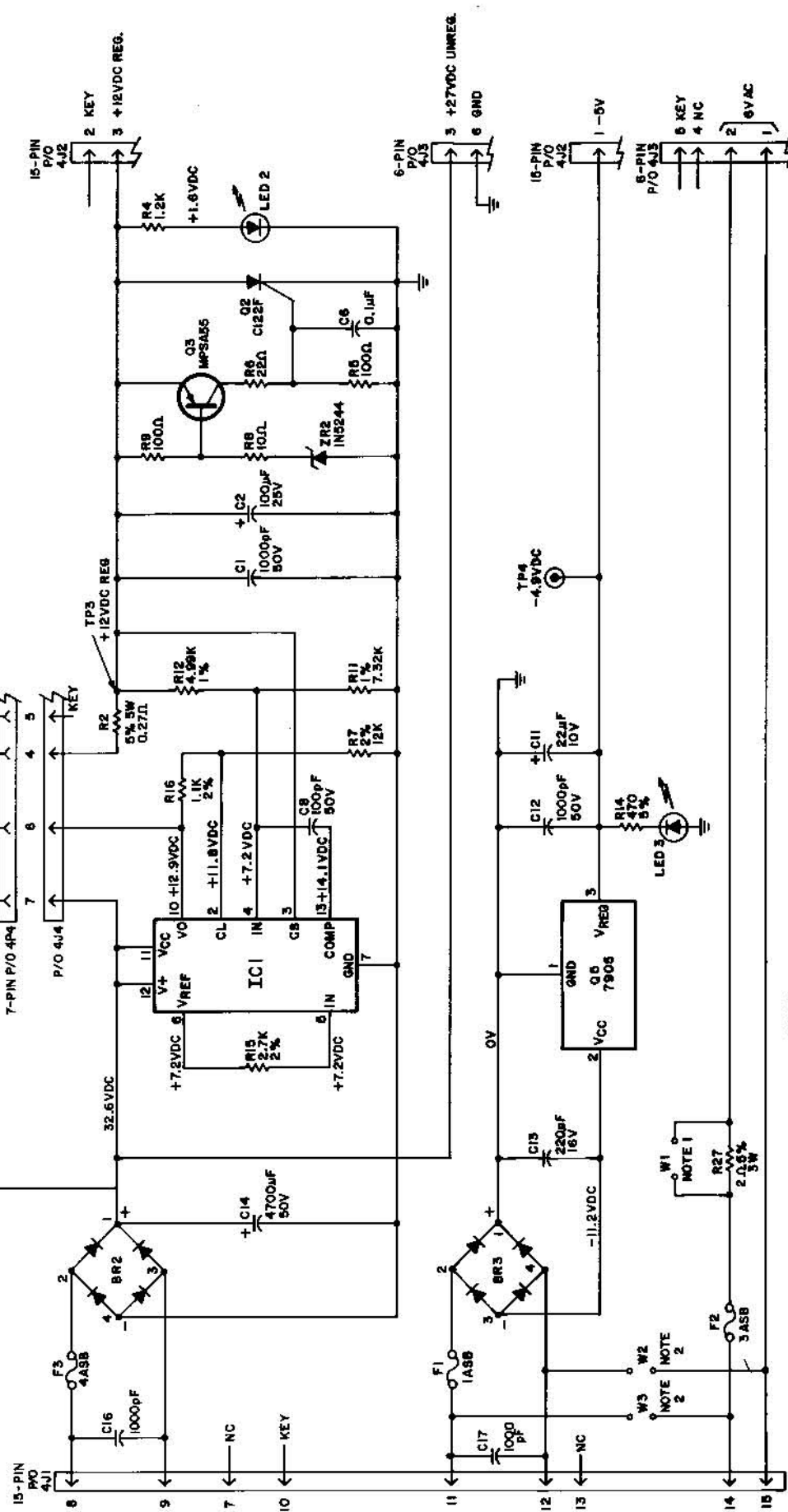
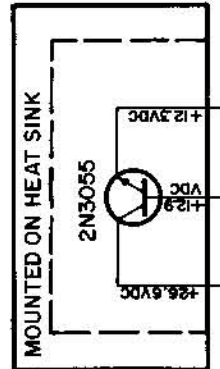
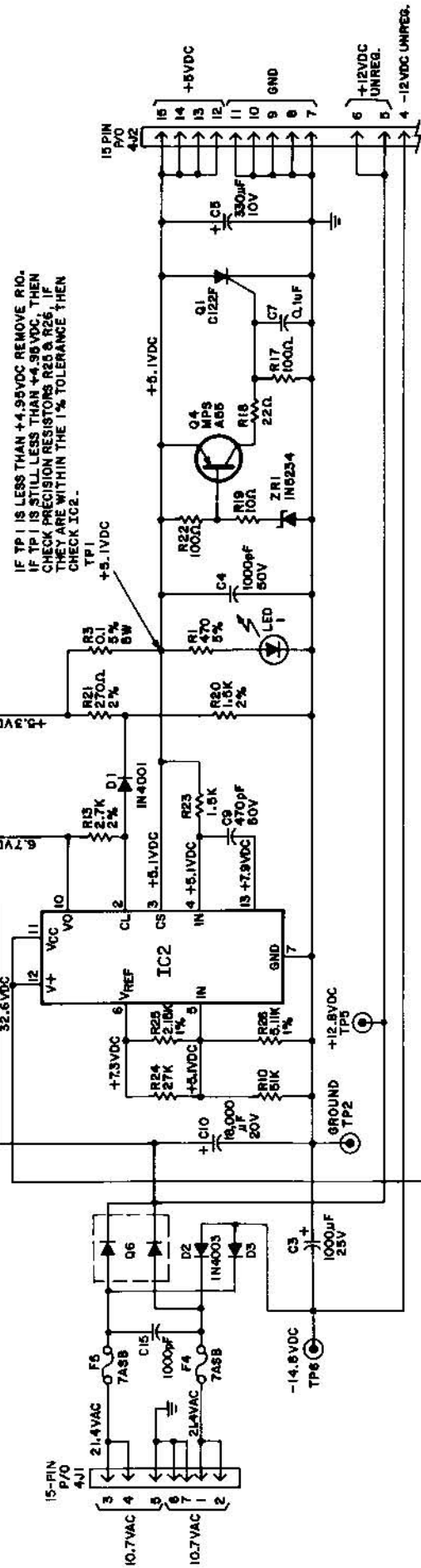
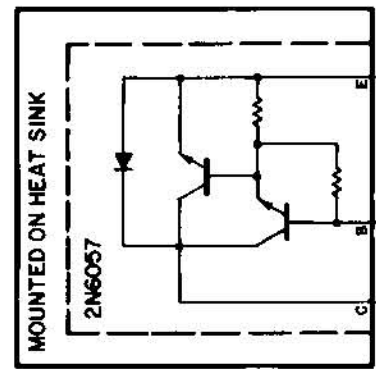
ITEM NO.	PART DESIGNATION	PART NUMBER
15	LABEL PCB ASSM ID	16-8850-33
20	W1	NOT USED
	W2 W3	NOT USED
48	FUSE 1 A.S.B.	5731-06569-00
60	R27 0.4Ω 5% 3W	5010-09037-00



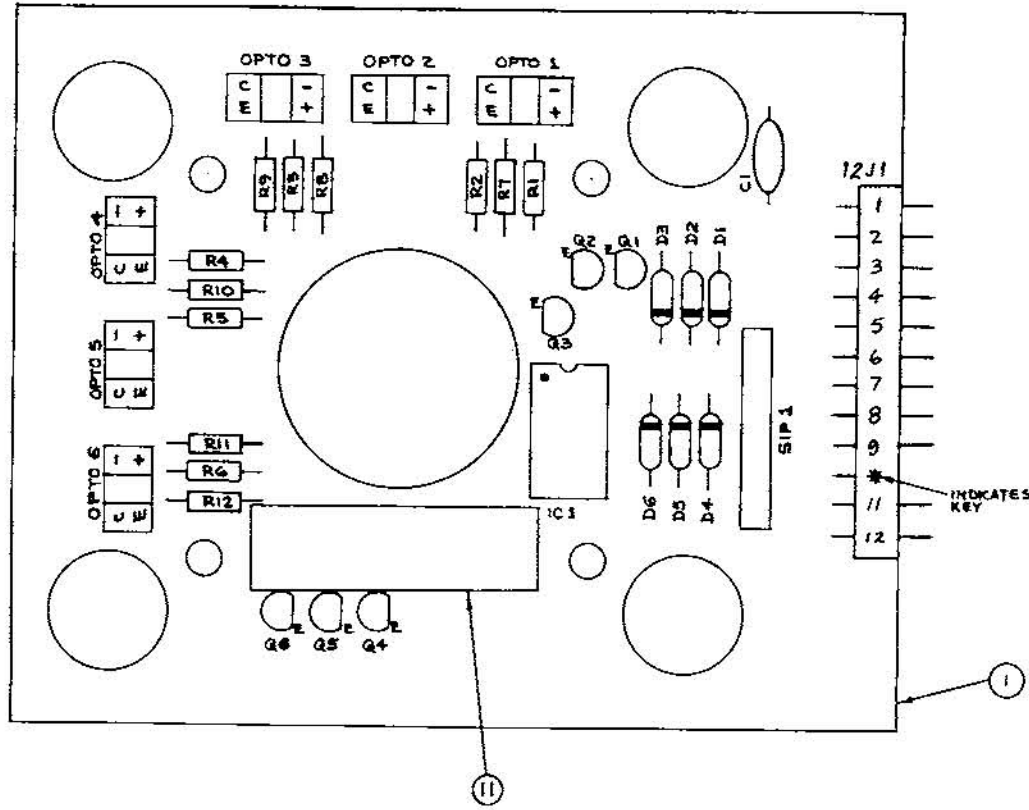
- NOTE:
1. REMOVE R10 IF +5V DC IS LESS THAN 4.95V DC.
 2. FOR SCHEMATIC REFER TO 16-8849.
 3. APPLY RTV UNDER CAPACITOR A/R
 4. LABEL LOCATION IS APPROXIMATE.

ITEM NO.	PART NO.	PART DESIGNATION	DESCRIPTION	REQD NO.
45	5731-06569-00	F4, F5	FUSE, 1A, S.B.	2
46	5731-06569-00	F3	FUSE, 1A, S.B. 250V	1
47	5731-06569-00	F1	FUSE, 1A, S.B. 250V	1
48	SEE CHART	F2	3A, S.B.	1
49	5731-06569-00	FUSEHOLDER		10
50	D2-T680		TYE WRAP	1
51	5731-06569-00	4J2	HEADER, 15 PIN 08-65-1151	2
52	5731-06569-00	4J3	HEADER, 6 PIN 08-65-1061	1
53	5731-06569-00	4J4	HEADER, 7 PIN 08-65-1071	1
54	5731-06569-00	4J5	HEADER, 1 PIN 08-65-1081	1
55	5010-09037-00	R10	RESISTOR, C.F. 1.5K Ω 5% 1/4 W	1
56	5010-09037-00	R24	RESISTOR, C.F. 1.5K Ω 5% 1/4 W	1
57	5010-09037-00	R27	RESISTOR, C.F. 0.4 Ω 5% 3 W	2
58	5010-09037-00	R28	RESISTOR, C.F. 2.2K Ω 5% 1/4 WATT	1
59	4406-01117-00	4J1	HEADER, 5 PIN 08-65-1151	1
60	SEE CHART	R27	SEE CHART	1
61	5731-06569-00	4J1	HEADER, 5 PIN 08-65-1151	1
62	5731-06569-00	4J1	HEADER, 5 PIN 08-65-1151	1
63	5010-09037-00	R28	RESISTOR, C.F. 2.2K Ω 5% 1/4 WATT	1
64	5731-06569-00	F4, F5	FUSE, 1A, S.B.	2

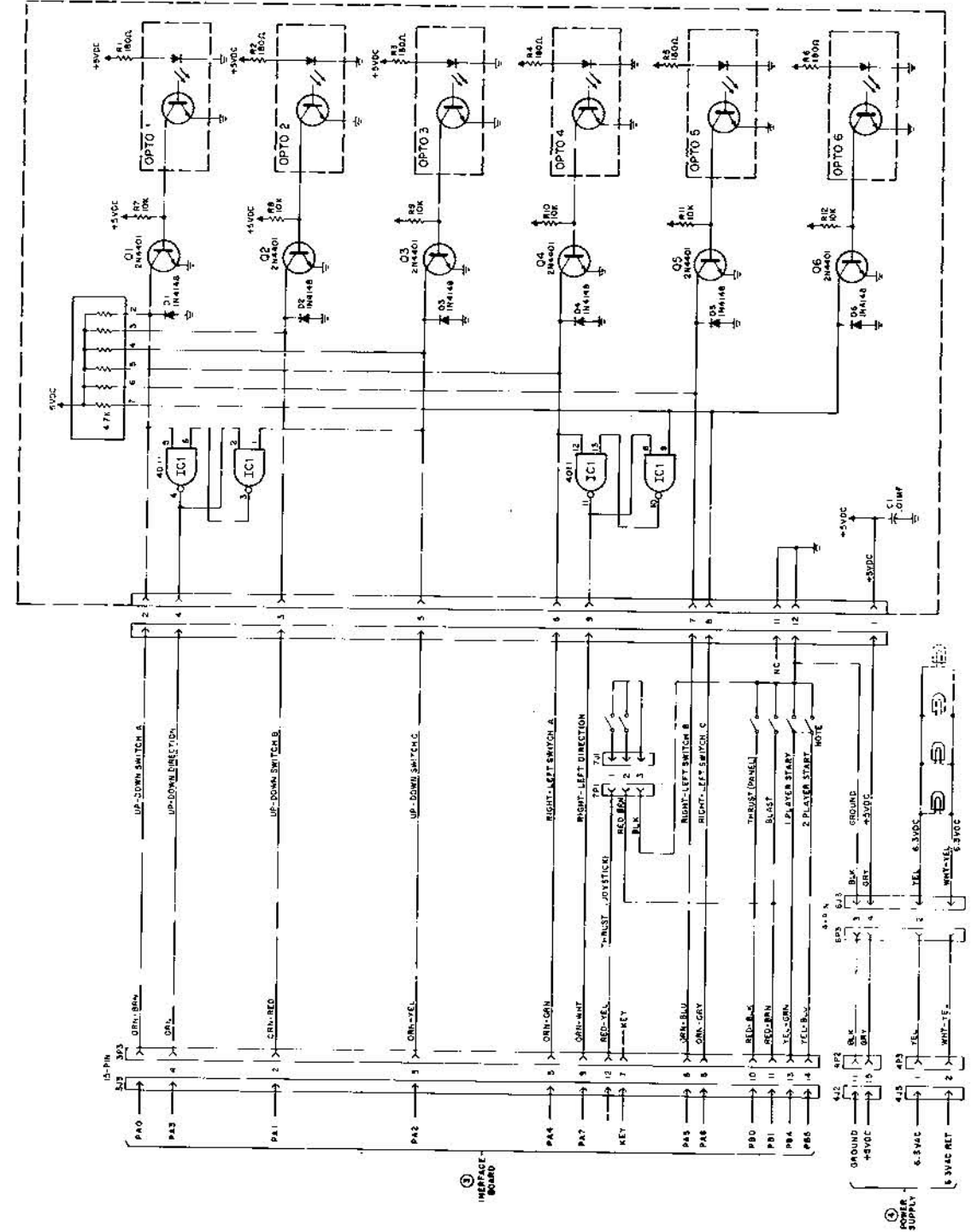
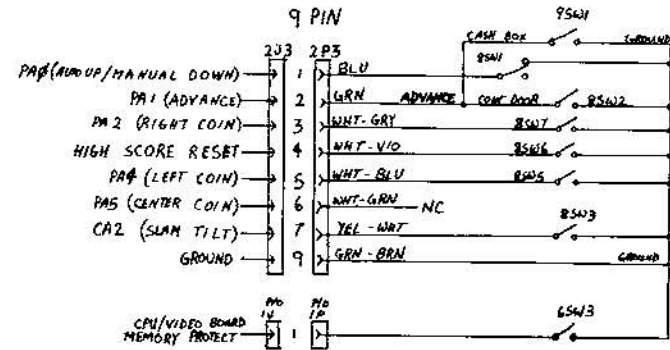
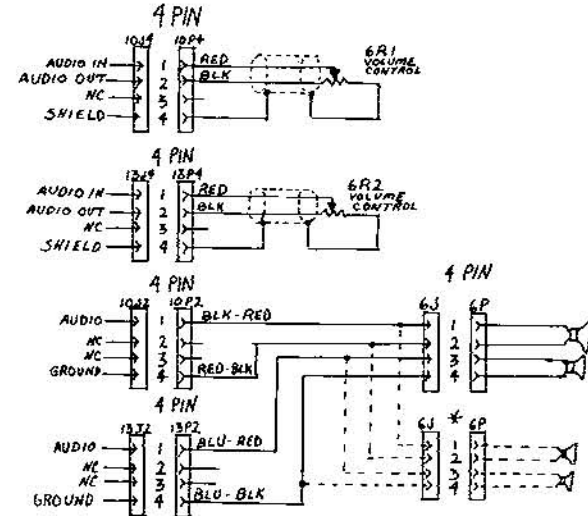
BILL OF MATERIAL				
ITEM NO.	PART NO.	PART DESIGNATION	DESCRIPTION	REQD NO.
1	5773-08679-00		BARE P.C. BOARD	1
2	5010-09037-00	R23	RESISTOR, 1.5K Ω 5% 1/4 W	1
3	5010-09037-00	R13, R15	RESISTOR, 1.5K Ω 5% 1/4 W	2
4	5010-09037-00	R21	RESISTOR, 270 Ω 5% 1/4 W	1
5	5010-09037-00	R20	RESISTOR, 1.5K Ω 5% 1/4 W	1
6	5010-09037-00	R16	RESISTOR, 1.1K Ω 5% 1/4 W	1
7	5010-09037-00	R7	RESISTOR, 1.2K Ω 5% 1/4 W	1
8	5010-09037-00	R4	RESISTOR, 1.5K Ω 5% 1/4 W	1
9	5010-09037-00	R1, R14	RESISTOR, 270 Ω 5% 1/4 W	2
10	5013-09427-00	R11	RESISTOR, 1.5K Ω 5% 1/4 W	1
11	5013-09427-00	R12	RESISTOR, 9.2K Ω 5% 1/4 W	1
12	5013-09427-00	R25	RESISTOR, 2.15K Ω 5% 1/4 W	1
13	5013-09427-00	R3	RESISTOR, 10 Ω 5% 5 W	1
14	5012-09512-00	R2	RESISTOR, 1.875 Ω 5% 5 W	1
15	16-8850-33		LABEL PCB ASSEM ID	1
16	5013-09427-00	R26	RESISTOR, 5.1K Ω 5% 1/4 W	1
17	5010-09037-00	R6, R18	RESISTOR, C.F. 2.2K Ω 5% 1/4 W	2
18	5010-09037-00	R5, R17, R22	RESISTOR, C.F. 100 Ω 5% 1/4 W	4
19	5010-09037-00	R8, R19	RESISTOR, C.F. 10 Ω 5% 1/4 W	2
20	SEE CHART		RESISTOR	3
21	5043-09286-00	C6, C7	CAPACITOR, 0.1μF CERAMIC ±20% 20V 50V	2
22	5040-09427-00	C2, C16	CAPACITOR, 100μF 25V RADIAL ±50% -10%	2
23	5040-09427-00	D2, D3	DIODE, 1N4003	1
24	5040-09427-00	D3	CAPACITOR, 100μF 25V RADIAL ±50% -10%	1
25	5040-09427-00	C10	CAPACITOR, 100μF 20V AXIAL ±50% -10%	1
26	5040-09427-00	C5	CAPACITOR, 330μF 10V RADIAL ±50% -10%	1
27	5040-09427-00	C14	CAPACITOR, 470μF 35V RADIAL ±50% -10%	1
28	5043-09286-00	C1, C4, C15, C18, C19, C21	CAPACITOR, 1μF 50V AXIAL	3
29	5043-09286-00	C9	CAPACITOR, 470μF 50V AXIAL ±50% -10%	1
30	5043-09286-00	C8	CAPACITOR, 100μF 50V AXIAL ±50% -10%	1
31	5040-09427-00	C13	CAPACITOR, 220μF 10V RADIAL ±50% -10%	1
32	5040-09427-00	C11	CAPACITOR, 22μF 10V RADIAL ±50% -10%	1
33	5075-08606-00	D1, D2, D4	DIODE, 1N4001	3
34	5075-08606-00	ZR1	ZENER, 1N5233 ±5% (6.2V)	1
35	5075-08606-00	ZR2	ZENER, 1N5233 ±5% (14V)	1
36	5130-09427-00	Q3, Q4	TRANSISTOR, MPS ASS	2
37	5130-09427-00	Q1, Q2	SCR, 8 AMP, 100 V	2
38	5220-09515-00	Q5	VOLTAGE REGULATOR, T305	1
39	5420-09427-00	IC1, IC2	VOLTAGE REGULATOR, T33	2
40	500-09427-00	G10	DUAL RECTIFIER, 30 AMP, 100V	1
41	500-09427-00	BR2	BRIDGE RECTIFIER, 4.0A, 50V	1
42	500-09427-00	BR1	BRIDGE RECTIFIER, 1.0A, 50V	1
43	5731-06569-00	LED1, LED2, LED3	LED, (LIGHT EMITTING DIODE)	3
44	5010-09037-00	TP2, TP4, TP5, TP6	TERMINAL #150E-1 (TEST POINT)	4

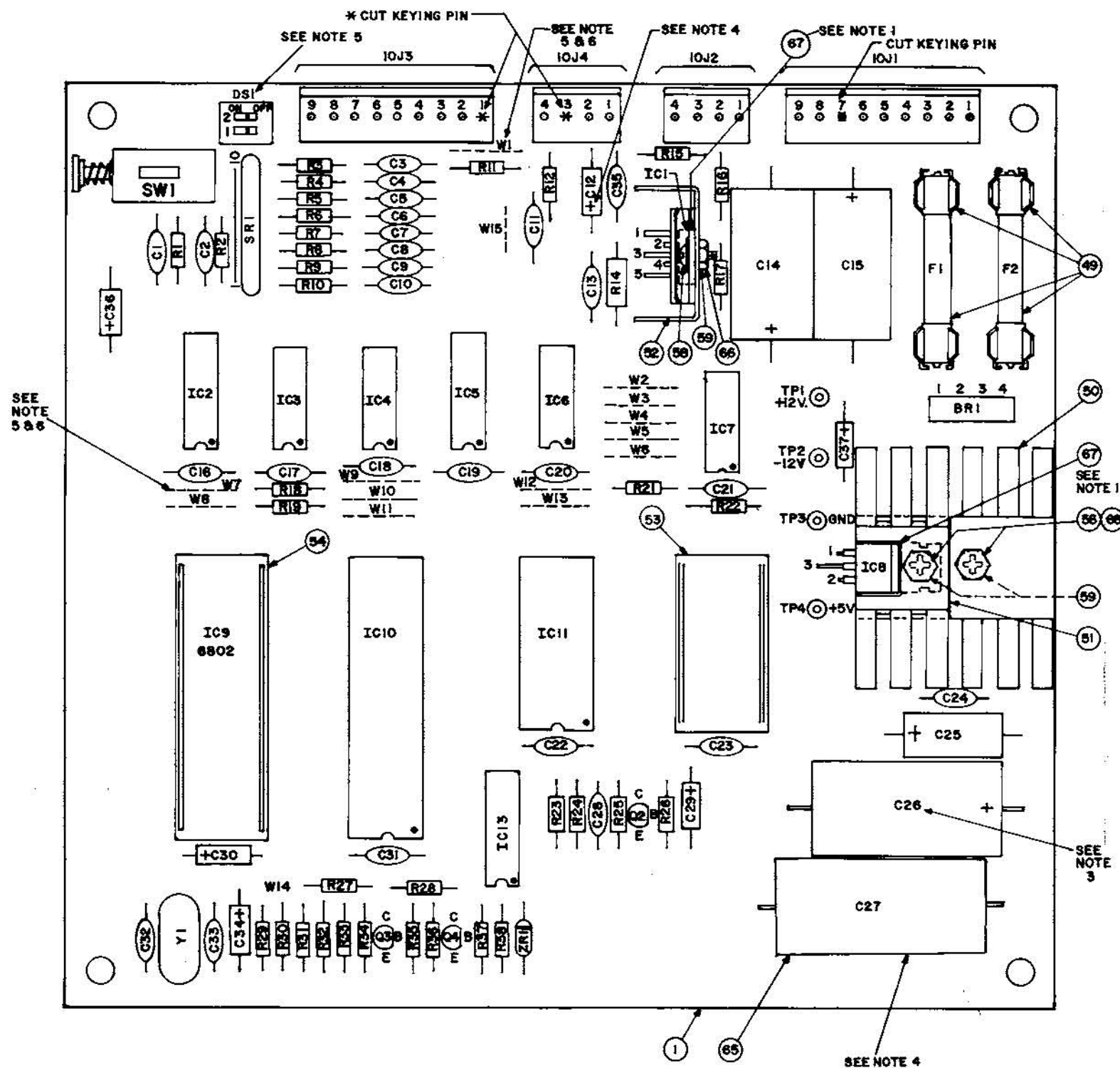


- NOTES:
1. W1 IS NOT USED ON UPRIGHT GAMES.
 2. W2 & W3 ARE NOT USED.
 3. IASB 50V.



BILL OF MATERIAL				
ITEM NO.	PART NUMBER	PART DESIGNATION	DESCRIPTION	QTY. REQD
1	5772-10068-00		BARE P.C. BOARD	1
2	3490-09827-00	OPTO 1 THRU OPTO 6	OPTO INTER MODULE SWITCH	6
3	5310-09155-00	IC 1	I.C., 40118 CMOS QUAD 2-IMP NAND GATE	1
4	5019-09362-00	SIP 1	10 PIN, 4.7K, SIP	1
5	5010-09768-00	R1 THRU R6	RESISTOR, 180 Ω, 1/4 W	6
6	5160-08938-00	Q1 THRU Q6	TRANSISTOR, 2N4401 NPN	6
7	5070-08919-00	D1 THRU D6	DIODE, 1N4148	6
8	5791-10142-00	12J1	12 PH 2420 09-75-1021	1
9	5010-09034-00	R7 THRU R12	RESISTOR, 10K Ω, 1/4 W	6
10	5043-08980-00	C1	CAP. AXIAL CERAMIC, 0.1MFD 50V ±20%	1
11	16-8850-59		LABEL - PCB ASSY ID	1





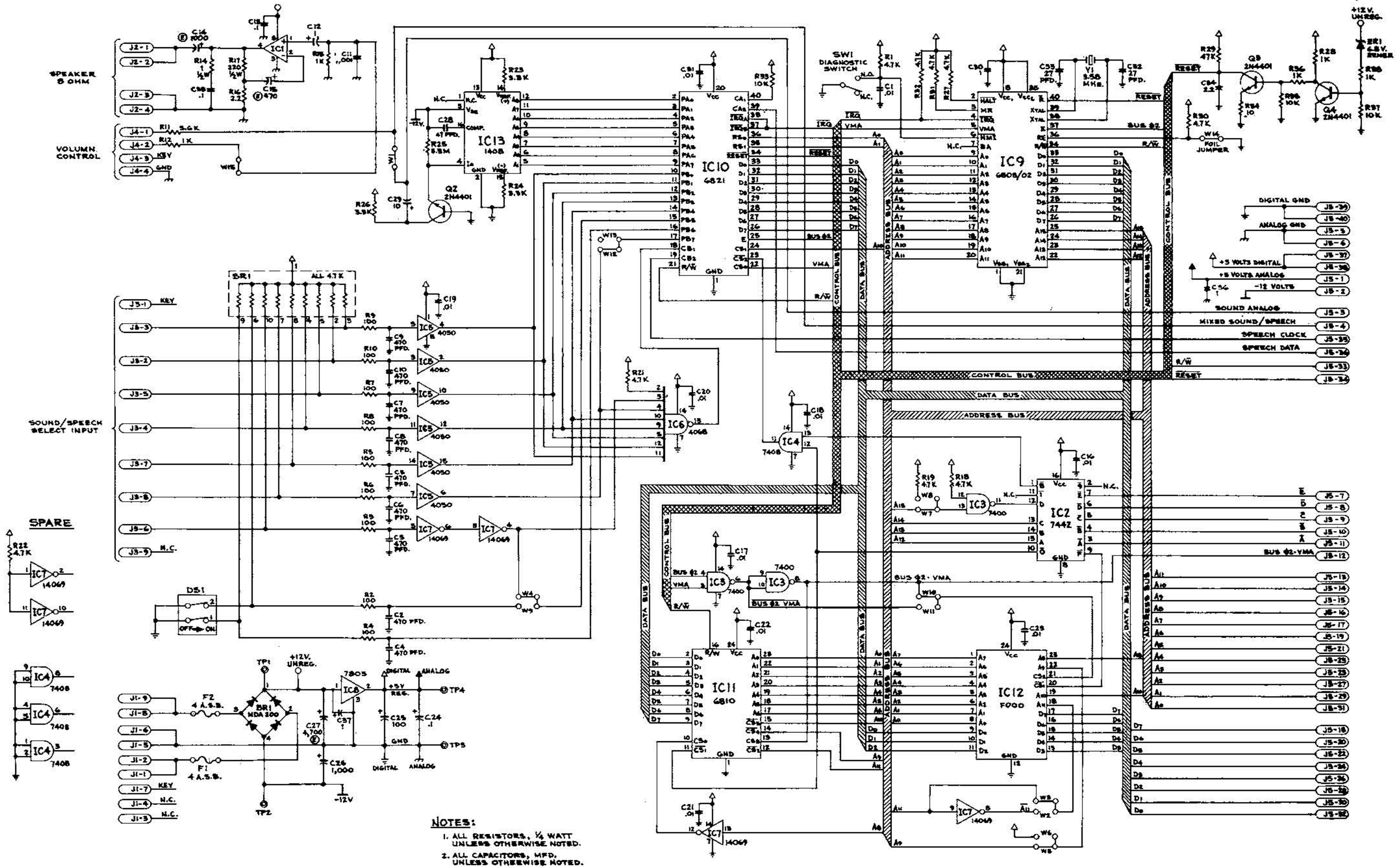
BILL OF MATERIAL

ITEM NO.	PART NO.	PART DESIGNATION	DESCRIPTION	REQ'D. NO.
1	01-2 01-146-6		BARE P.C. BOARD REV F	1
2	5370-09156-00	IC1	IDA 2002 V AUDIO AMPLIFIER	1
3	5280-09012-00	IC2	7442 BCD-DEC DECODER	1
4	5280-09073-00	IC3	7400 QUAD 2 INPUT NAND	1
5	5280-08973	IC4	7408 QUAD 2 INP. AND GATE	1
6	5310-09193-00	IC5	4050 BUFFER	1
7	5310-09154-00	IC6	4068 8 INPUT NAND GATE	1
8	5310-08971-00	IC7	4069 HEX INVERTER	1
9	5250-09197-00	IC8	7805 5 VOLT REG. W/T0 220 CASE	1
10	5430-08972-00	IC10	6821 P.I.A.	1
11	5340-09003-00	IC11	6810 RAM	1
12	5371-09152-00	IC13	1408 D/A CONVERTER	1
13	5160-08938-00	Q2, Q3, Q4	2N4401 NPN TRANSISTOR	3
14				
15	5075-09018-00	ZR1	1N5996A 6.8V ZENER DIODE	1
16				
17	5100-09357-00	BR1	MDA 200/3N255	1
18	5100-09158-00		BRIDGE RECTIFIER	0
19	5520-09020-00	Y1	3.58 MHZ CRYSTAL	1
20	5010-08991-00	R1,R18,R19,R21,R22, R27,R30,R31, R32	RESISTOR, FC, 4.7K OHM, 5% 1/4 WATT	9
21	5010-09036-00	R2 thru R10	RESISTOR, FC, 100 OHM, 5% 1/4W	9
22	5010-09358-00	R12,R15,R28,R36,R38	RESISTOR, FC, 1K OHM, 5% 1/4W	5
23	5010-09181-00	R14	RESISTOR, FC, 1 OHM, 10% 1/2 WATT	1
24	5010-09161-00	R16	RESISTOR, FC, 2.2 OHM, 5% 1/4 WATT	1
25	5010-09361-00	R17	RESISTOR, FC, 220 OHM, 5% 1/2 WATT	1
26	5010-08983-00	R23, R24, R26	RESISTOR, FC, 3.3K OHM, 5% 1/4 WATT	3
27	5010-09179-00	R25	RESISTOR, FC, 3.3M OHM, 5% 1/4 WATT	1
28	5010-09035-00	R29	RESISTOR, FC, 47K OHM, 5% 1/4 WATT	1
29	5010-09034-00	R33, R35, R37	RESISTOR, FC, 10K OHM, 5% 1/4 WATT	3
30	5010-09039-00	R34	RESISTOR, FC, 10 OHM, 5% 1/4 WATT	1
31	5043-08980-00	C1, C16 thru C23, C31	CAPACITOR, CER. .01 MFD. 50V. +80%, -20%	10
32	5043-09065-00	C2 thru C10	CAPACITOR, CER. 470 PFD. 50V. +20%	9
33	5043-09345-00	C11	CAPACITOR, CER. .001 MFD. +20% 100V.	1
34	5040-09365-00	C12, C30, C36	CAPACITOR, ELECT. 1 MFD. 63V. -10 +50%	3
35	5043-08996-00	C13, C24, C35	CAPACITOR, CER. .1 MFD. 50V. +20%	3
36	5040-09165-00	C14	CAPACITOR, ELECT. 1,000 MFD. 16V. +20%	1
37	5040-09164-00	C15	CAPACITOR, ELECT. 470 MFD. 10V. +20%	1
38	5040-08986-00	C25	CAPACITOR, ELECT. 100 MFD. 10V. +20%	1
39	5040-08893-00	C26	CAPACITOR, ELECT. 1,000 MFD. 25V. +20%	1
40	5040-09376-00	C27	CAPACITOR, ELECT. 4700 MFD. 16V. +20%	1
41	5043-09180-00	C28	CAPACITOR, CER. 47 PFD. 1K V. +20%	1
42	5040-09343-00	C29	CAPACITOR, ELECT. 10 MFD. 20V	1
43	5043-09169-00	C32, C33	CAPACITOR, CER. DISC, 27 PFD. 1KV. +10%	2
44	5041-09163-00	C34	CAPACITOR, TANTALUM 2.2 MFD. 15V. +20%	1
45	5041-09031-00	C37	CAPACITOR, TANTALUM 1 MFD. 25V. +20%	1
46	5641-09658-00	SW1	MOMENTARY SWITCH SPDT	1
47	5645-09330-00	DS1	2 STD. DIP SWITCH	1
48	5731-06314-00	F1, F2	4 AMP SLOW BLOW FUSE	2
49	5732-09178-00		FUSEHOLDER	4
50	5705-09172-00		HEAT SINK THERMALLOY #6072B	1
51	5705-09173-00		HEAT SINK THERMALLOY #6071B	1
52	5705-09199-00		HEAT SINK THERMALLOY #6030	1
53	5700-09004-00		24 PIN SOCKET	1
54	5700-08985-00		40 PIN SOCKET	1
55	5791-09027-00	10J1, 10J3	9 PIN MALE CONNECTOR 09-65-1091	2
56	5791-09028-00	10J2, 10J4	4 PIN MALE CONNECTOR 09-65-1041	2
57				
58	4006-01003-06		6-32x3/8" P-PH-S	3
59	4006-01117-00		6-32 HEX NUT	3
60	5010-09534-00		0 OHM RESISTOR	A/R
61	5824-09248-00	TP1 THR TP4	TERMINAL #1502-1	4
62	5010-09363-00	R11	RESISTOR, FC, 5.6K OHM 5% 1/4 WATT	1
63				
64	5019-09362-00	SR1	RESISTOR, 4.7K OHM 10 PIN SIP	1
65	03-7520-1		TIE WRAP	1
66	4703-00007-00		#6 EXT. LOCKWASHER	3
67	20-9229		THERMAL COMPOUND	.01

SOUND BOARD JUMPERS

JUMPERS USED	ROM TYPE	FORMAT	GAMES USED IN
W2, W5, W7, W9, W10, W15	2K x 8 2516, 2716	SOUND & SPEECH	GORGAR, BLACKOUT, FIREPOWER, BLACK KNIGHT, JUNGLE LORD, PHARAOH.
W1, W2, W5, W7, W9, W10, W15	2K x 8 2516, 2716	SOUND ONLY	DEFENDER VIDEO & PIN, SOLAR FIRE, BARRACORA, HYPERBALL, STARGATE, COSMIC GUNFIGHT, VARKON, TIME FANTASY.
W3, W4, W5, W7, W10, W15	4K x 8 2532	SOUND & SPEECH	SINISTAR (UPRIGHT & COCKPIT FRONT)
W1, W3, W4, W5, W7, W10, W15	4K x 8 2532	SOUND ONLY	ROBOTRON, JOUST VIDEO & PIN, BUBBLES, SINISTAR (COCKPIT REAR)
W1, W2, W4, W5, W7, W10, W15	2K x 8 2516, 2716	SOUND ONLY	WARLOCK
W1, W3, W6, W7, W9, W11, W12, W15	512 x 8 7641	SOUND ONLY	BIG STRIKE
W1, W3, W4, W5, W7, W10, W12, W14, W15	4K x 8 2522	SOUND ONLY	BLASTER

- NOTES:**
- USE THERMAL COMPOUND BETWEEN IC1 AND IC8, AND HEAT SINKS.
 - CAUTION: AVOID STATIC DISCHARGE DAMAGE TO MOS LOGIC.
 - SYMBOLS SHOWN ON COMPONENTS ARE FOR REFERENCE ONLY. DO NOT SCREEN OR STAMP.
 - OBSERVE INDEX MARK OF ALL INTEGRATED CIRCUITS; DIODES D1, D2, AND ZR1; CAPACITORS C12, C14, C15, C25, C26, C27; CONNECTORS 10J1, 10J2, 10J4, 10J3, 10J5; POSITION OF TRANSISTORS Q1, Q2, Q3, Q4.



CHAPTER 5 Parts

PLASTIC CABINET

CABINET

PART NO.	DESCRIPTION
20-9374	Control Panel Twist Latch
01-7607	Speaker Grill
03-7695	Monitor Bezel
08-7416	Monitor Glass
31-1208-3021-UP	Screened Marquee
01-7745	Rear Door Locking Strip
5675-09516-00	19" Monitor

REAR DOOR

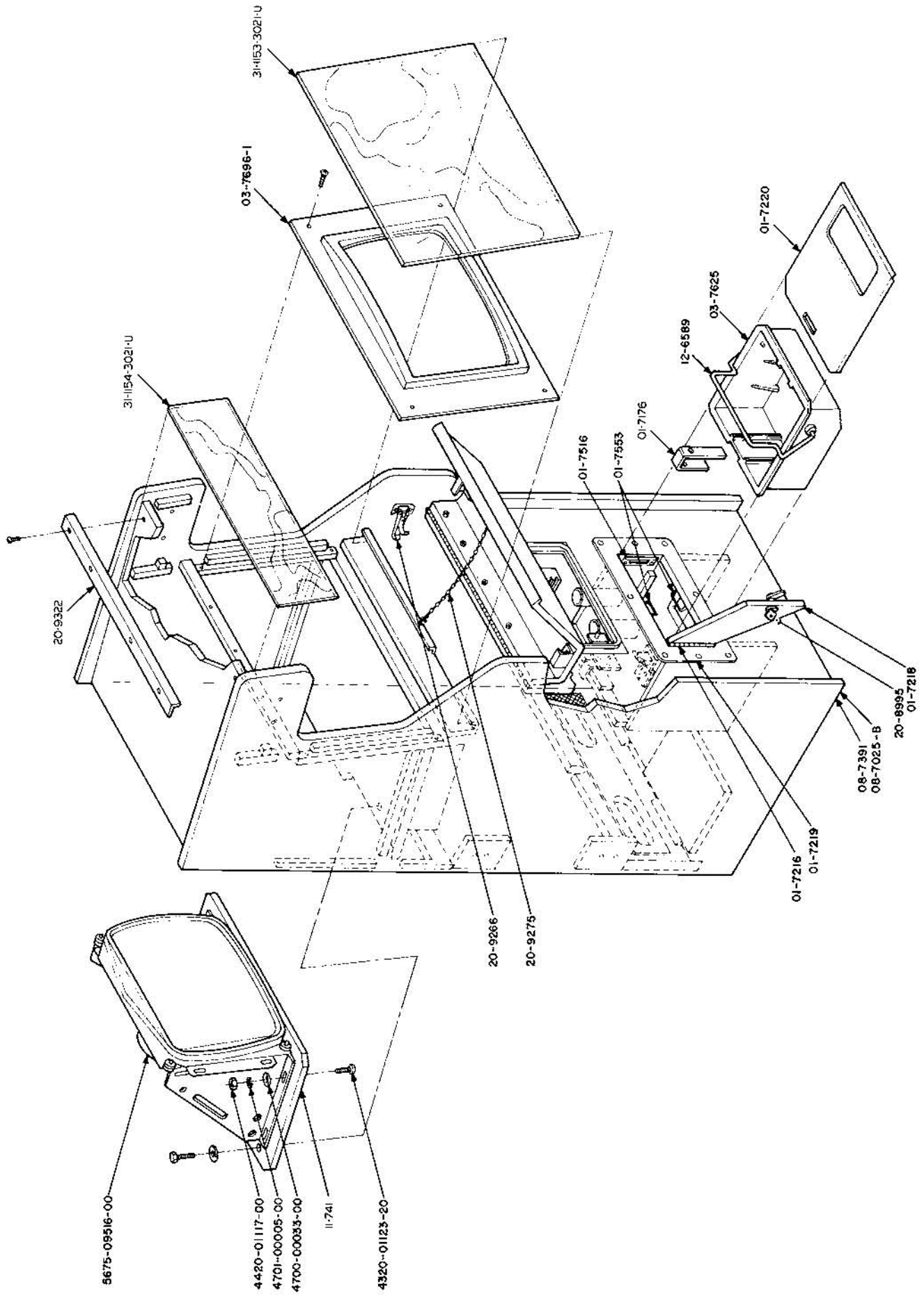
PART NO.	DESCRIPTION
20-9365	Lock
01-7670	Lock Plate
B-9742	Lock Cam
02-4160	Locking Rod
02-4161	Locking Rod Bushing
20-9364	Door Hinge

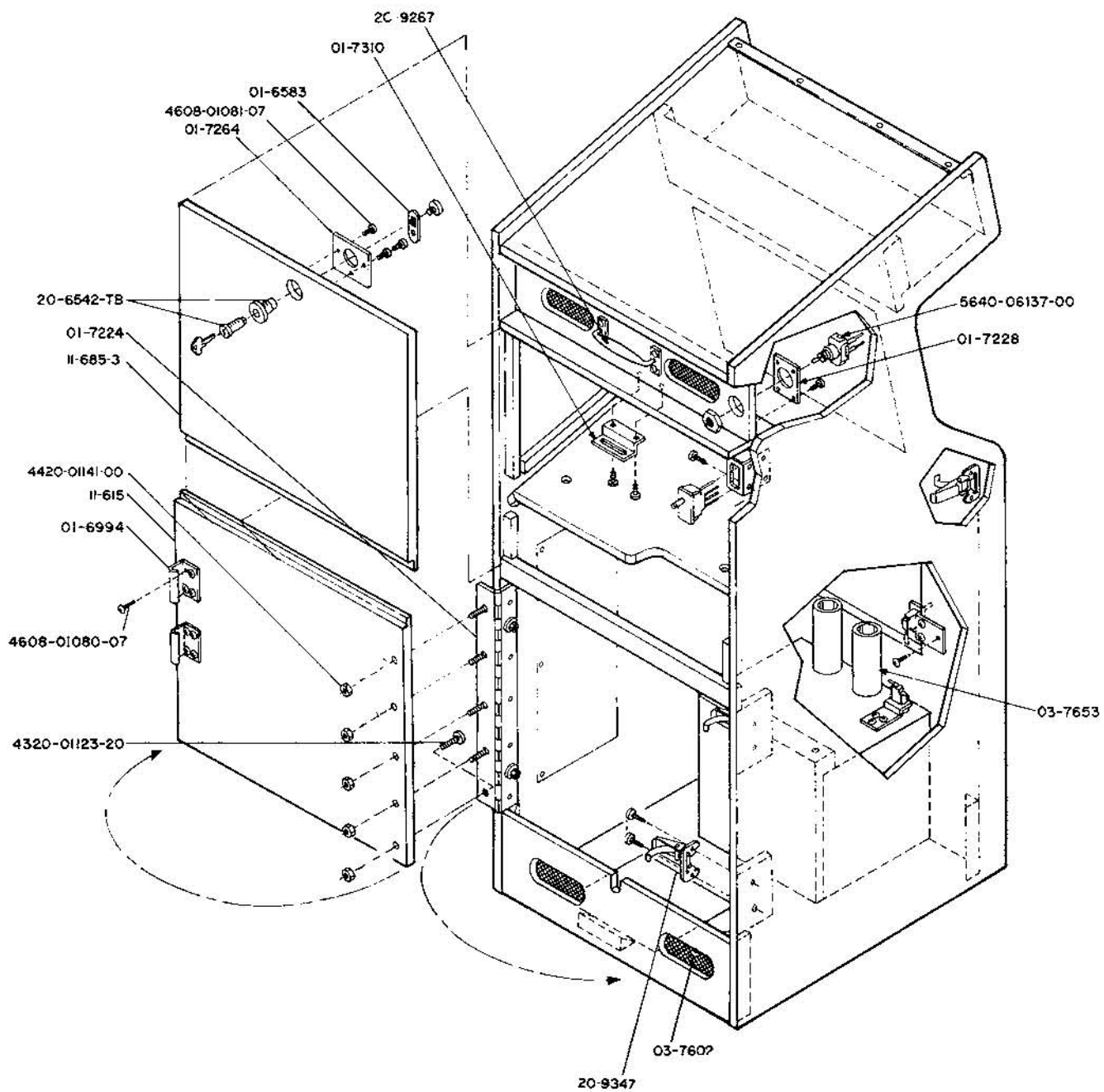
CONTROL PANEL

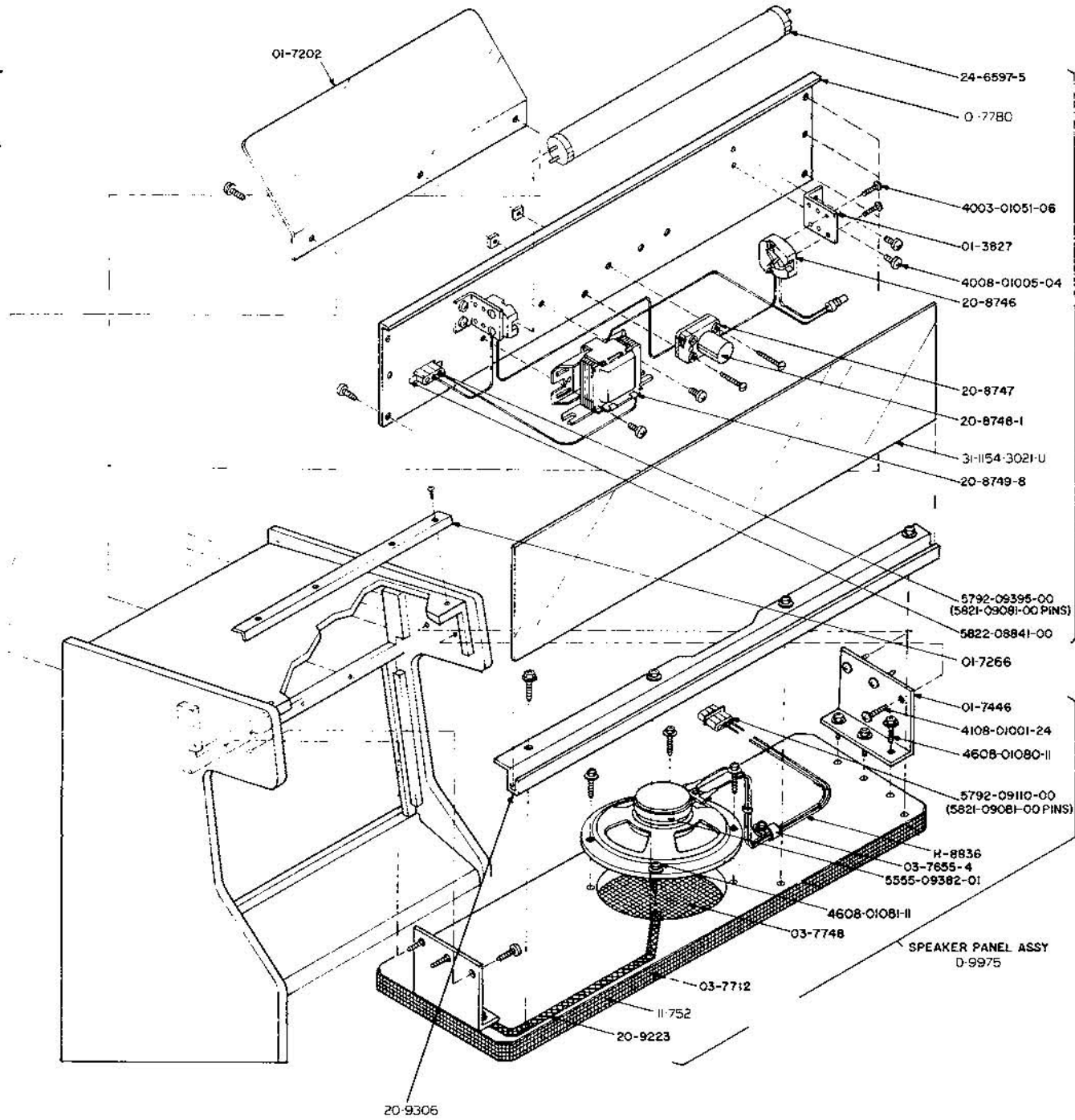
PART NO.	DESCRIPTION
D-10099	Complete Assembly
11-761	Wood Panel
31-1207-3021-UP	Screened Panel Overlay
03-7794	Molding Strip
01-7753	Twist Latch Receptacle
01-7717	Front Hold Down Bracket

POWER GRIP JOYSTICK

PART NO.	DESCRIPTION
C-9680	Complete Assembly
C-9620	Power Grip Handle Assembly
5647-10160-00	Power Grip Button Switch
5647-10163-00	Power Grip Trigger Switch
B-9475	Sliding Interrupter Assembly
C-9471	P.C. Board Assembly

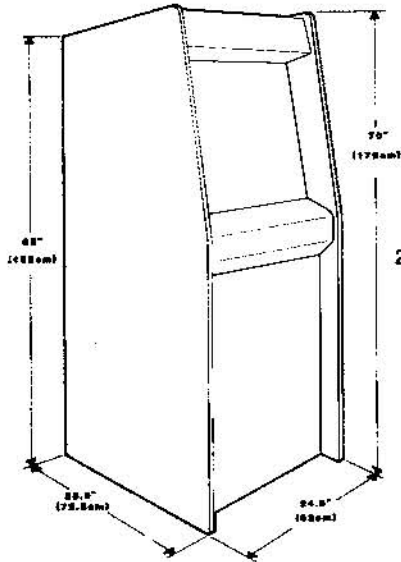






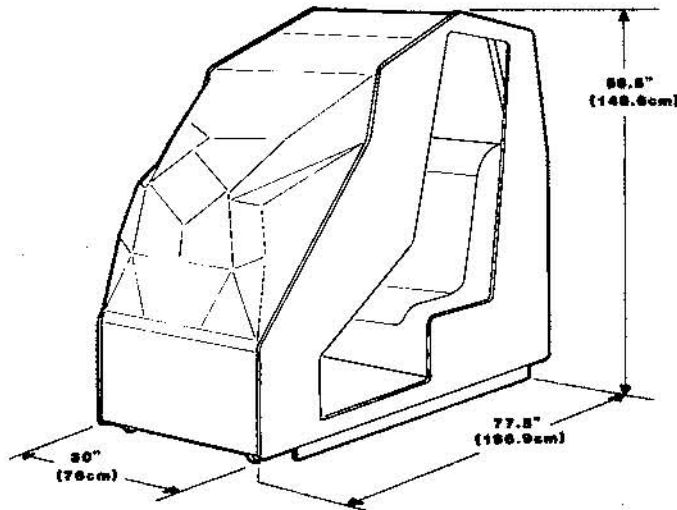
LIGHT REFLECTOR ASSY D-9963

SPEAKER PANEL ASSY D-9975



UPRIGHT

Weight
270 lbs. (122.5 kg.) uncrated
290 lbs. (131.5 kg.) crated



COCKPIT

Weight
342 lbs. (155 kg.) uncrated
402 lbs. (182.5 kg.) crated

POWER REQUIREMENTS

115/230VAC Nominal, 50/60Hz
@2.0/1.0A 230W
(20A surge for one cycle
at power turn on)

Normal Line = 98-126VAC
196-252VAC

High Line* = 113-145VAC
226-290VAC

Low Line* = 88-113VAC
176-226VAC

*Transformer jumpers required.
See service manual.

ENVIRONMENT

Operating Temperature
0° to +45°C ambient
(+32° to +113°F)

Storage Temperature
-40° to +65°C ambient
(-40° to +149°F)
90% RH at 40°C (104°F), non-condensing

MONITOR

19" Color Raster
non-interlaced
UL, CSA & DHHS Approved

VIDEO SYSTEM**

256 Colors, 340 x 240 PIXEL Resolution
6809E Microprocessor
ROM: 232K BYTES
Video and Scratch RAM: 50K BYTES
CMOS RAM: 1Kx4

SOUND SYSTEM**

2 Channel Stereo, 2- 6808 Microprocessors
ROM: 8K BYTES (2 Systems)

JOYSTICK**

Optical Sensing
49 discrete directions and degrees of movement
(6 separate speeds in 8 directions
plus center off position)

**Patent Pending

Specifications subject to change
without notice.

SERVICE

For the back-up that keeps you out-front,
call Williams toll-free at 800/621-1253.
In Illinois, call toll-free at 800/572-1324.

Warning—This equipment generates, uses, and can radiate radio frequency energy and if not installed and used in accordance with the instructions manual, may cause interference to radio communications. It has been certified to comply with the limits for a Class A computing device pursuant to Subpart J of Part 15 of FCC Rules, which are designed to provide reasonable protection against such interference when operated in a commercial environment. Operation of this equipment in a residential area is likely to cause interference in which case the user at his own expense will be required to correct the interference.

NOTICE: "BLASTER" is a trademark of Williams Electronics, Inc.
BLASTER is designed and created by Vid Kidz.

Williams® 
ELECTRONICS, INC.

3401 N. California Ave., Chicago, IL 60618
(312) 267-2240, Telex 253095